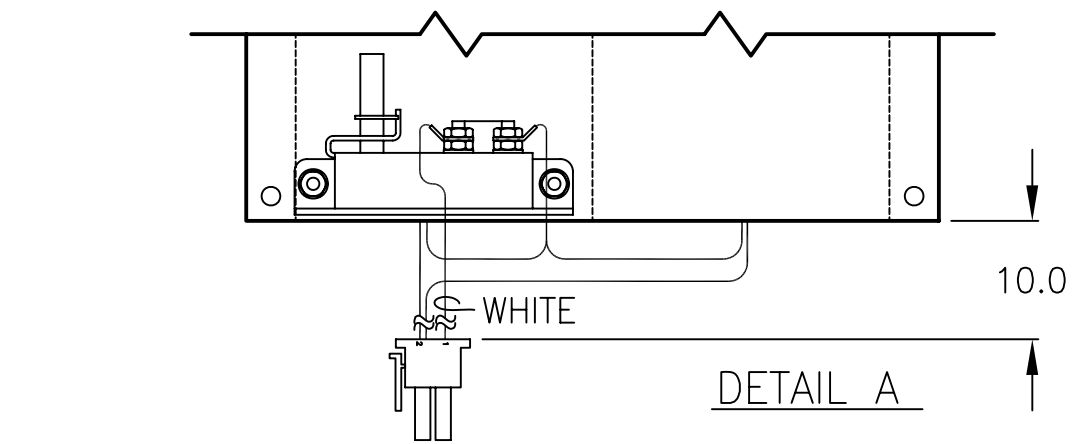
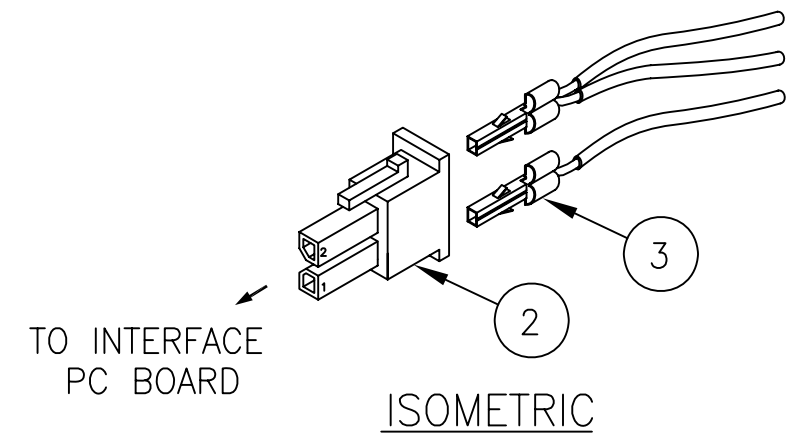
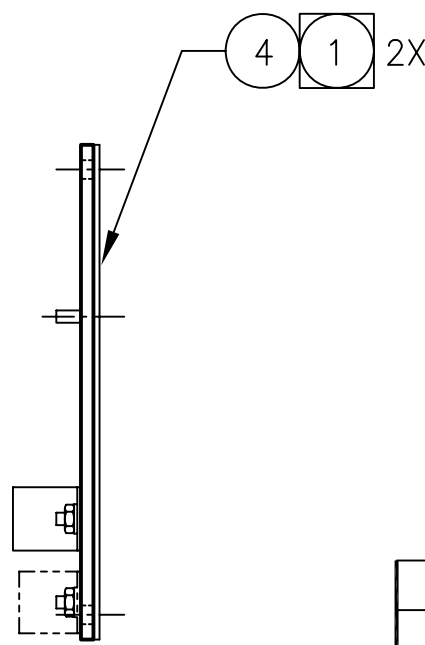
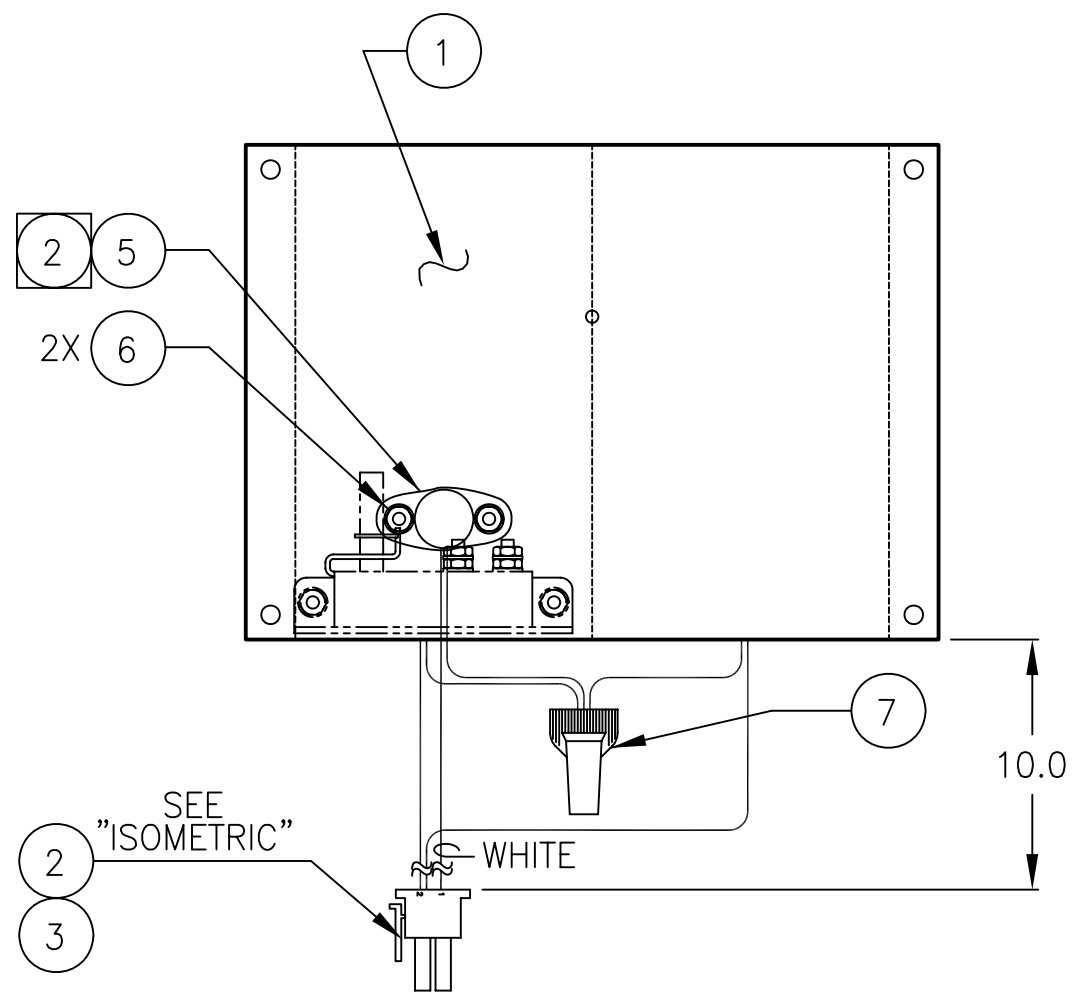


NOTES: UNLESS OTHERWISE SPECIFIED.

- 1 ATTACH HEATER (ITEM 5) TO PLATE USING SILICONE RTV ADHESIVE.
- 2 IF NOT AVAILABLE ITEM 5 (T1204) MAY BE SUBSTITUTED WITH T379. SET KNOB TO MIDDLE POSITION BEFORE INSTALLATION AND WIRED PER DETAIL A.
- 3. WIRING TO BE 20 GAUGE TEFLON INSULATED.

REVISIONS				
REV	DESCRIPTION	DATE	APP.	REV. BY
3	INC PER ECO 00-0407	1/3/00	AA	VF
4	INC PER ECO 00-0513	3/7/02	AA	VF



ITEM	QTY	PART No.	DESCRIPTION
8	REF	B67446-RS	ROUTE SHEET
7	1	----	WIRE NUT, COLOR: YELLOW
6	2	----	NUT, HEX 4-40 W/ LOCKWASHER
5	1	T 1204	THERMOSWITCH, SPST N/C FIXED @ 130° C
4	2	H 278	HEATER, 75W
3	2	T 976	CRIMP, TERMINAL
2	1	R 1462	MINI-FIT CONNECTOR
1	1	B67296	HEATER PLATE DETAIL

BILL OF MATERIAL

DO NOT SCALE DWG  
 TOLERANCE UNLESS OTHERWISE SPECIFIED: ANGULAR ±1/2°  
 LINEAR { .X = ±.1  
 .XX = ±.02  
 .XXX = ±.010

THIS DRAWING IS THE PROPERTY OF TELEDYNE ANALYTICAL INSTRUMENTS AND CONTAINS CONFIDENTIAL INFORMATION. IT IS NOT TO BE COPIED, REPRODUCED OR USED WITHOUT WRITTEN PERMISSION.

**Teledyne Analytical Instruments**  
 A Teledyne Technologies Company  
 City of Industry, California, 91748, USA

S/	SIGNATURES	DATE	TITLE	SCALE
N/	DRFT: JOHN REYES	10/28/96	HEATER WIRING ASSEMBLY (HEATER - CUSTOMER INTERFACE PC BOARD)	NONE
I/	CHK:			SIM B-65918
P/	APPR: BILL TARNG	10-29-96		SHEET 1 OF 1
O/	ENGR: BILL TARNG			
F/	C.O.:			
REFERENCE	CAD I.D. B67446-4		MATL. AS LISTED	DWG NO. B-67446
				REV 4