

NOTES: UNLESS OTHERWISE SPECIFIED

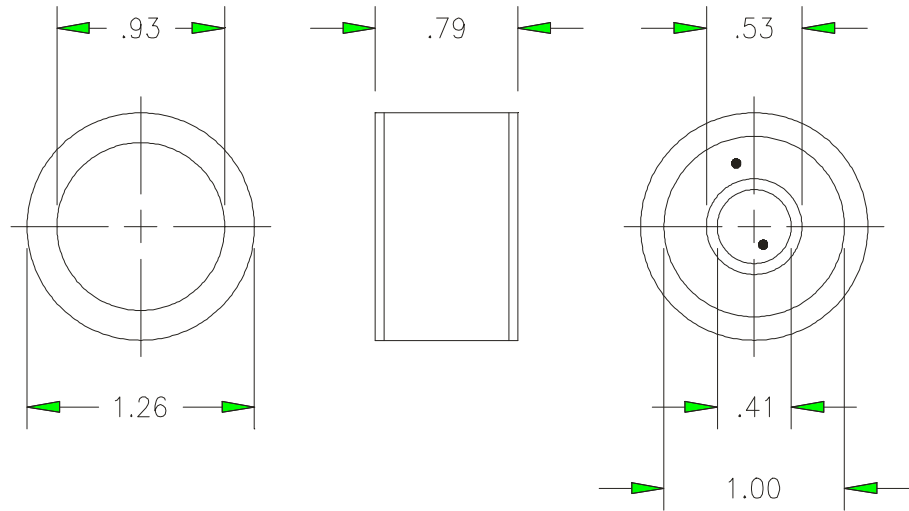
- 1) LABEL A-10084 (GREEN).
- 2) BACKPLATE POLARITY:  
 CENTER FOIL NEGATIVE (-).  
 OUTER FOIL POSITIVE (+)
- 3) ASSEMBLY PACKAGE IN A GAS BARRIER BAG.

REVISIONS

REV	DESCRIPTION	DATE	APP.	REV. BY
4	INC. ECO# 96-712	3-11-97	M.G.	VF
5	INC. ECO# 96-976	5/15/97	M.G.	M.V.

SPECIFICATIONS:

- 1) OUTPUT - (200 +/-40 MICROAMPS) IN AIR AT 25 °C, SEA LEVEL.
- 2) RANGE - 0-100% OXYGEN.
- 3) ACCURACY - WITHIN +/-1% OF FULL SCALE AT CONSTANT TEMPERATURE AND PRESSURE.
- 4) RESPONSE TIME - LESS THAN 30 SECONDS FOR 90% OF FINAL VALUE.
- 5) OFFSET - LESS THAN 0.5% OF OXYGEN EQUIVALENT AT 25 °C (77 °F) IN ZERO GAS AFTER 3 MINUTES.
- 6) HUMIDITY - 0 TO 99% R.H. (NON-CONDENSING).
- 7) OPERATING TEMPERATURE RANGE - 0 TO 40 °C (32 TO 104 °F)
- 8) TEMPERATURE COEFFICIENT - (2.5°C) AT 25 °C.
- 9) STORAGE TEMPERATURE - 0 - 50 °C AT (32 TO 122 °F).
- 10) EXPECTED CELL LIFE - 18 MONTHS IN AIR AT 25 °C AND 50% R.H.
- 11) WEIGHT - 0.9 OZ (26 GRAMS).



ITEM	QTY	PART NO.	DESCRIPTION
BILL OF MATERIAL			
DO NOT SCALE DWG		THIS DRAWING IS THE PROPERTY OF TELEDYNE ANALYTICAL INSTRUMENTS AND CONTAINS CONFIDENTIAL INFORMATION. IT IS NOT TO BE COPIED, REPRODUCED OR USED WITHOUT WRITTEN PERMISSION.	
TOLERANCE UNLESS OTHERWISE SPECIFIED: ANGULAR ±1/2°		Teledyne Analytical Instruments A business unit of Teledyne Electronic Technologies CITY OF INDUSTRY, CALIFORNIA 91748	
LINEAR $\begin{cases} .X & = \pm .1 \\ .XX & = \pm .02 \\ .XXX & = \pm .005 \end{cases}$			
SIGNATURES		DATE	TITLE
N/	DRFT: MARITZA V.	5/17/93	CLASS C-1 (T1) MICRO FUEL CELL SPEC. CONTROL DWG.
P/	CHK:		
I/	APPR: JML		
F/	ENGR: JAY M. LAUER		
O/	S.O.:		
REFERENCE	CAD I.D. A45799-5	MATL.	SCALE NTS
			SIM -----
			SHEET 1 OF 1
			DWG NO. <b>A-45799</b>
			REV <b>5</b>