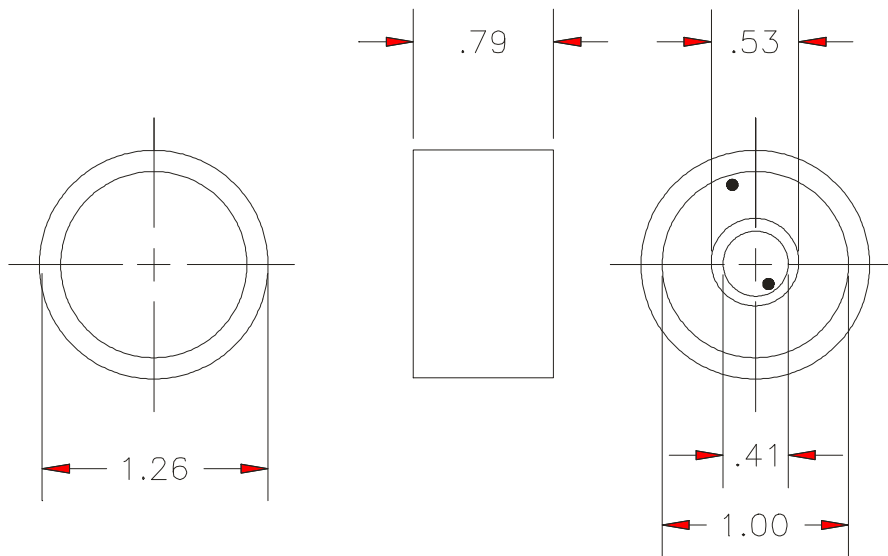


NOTES: UNLESS OTHERWISE SPECIFIED

1. LABEL A-10084-C (BRN).
2. BACKPLATE POLARITY:
 CENTER FOIL NEGATIVE (-).
 OUTER FOIL POSITIVE (+).
3. ASSEMBLY PACKAGED IN A GAS BARRIER BAG.



REVISIONS

REV	DESCRIPTION	DATE	APP.	REV. BY
3	INC ECO 96-480	8/15/96	JML	M.V.
4	INC ECO 97-0743	10-31-97	JML	VF

SPECIFICATIONS

1. OUTPUT $462 \pm 170\mu A$ IN AIR AT $25^{\circ}C$ & AT SEA LEVEL.
2. RANGE 0-100% OXYGEN (MAX), 0-1% OXYGEN (MIN).
3. ACCURACY WITHIN $\pm 1\%$ OF FULL SCALE AT CONSTANT TEMPERATURE AND PRESSURE.
4. RESPONSE TIME ≤ 7 SECONDS FOR 90% OF FINAL VALUE.
5. OFF-SET-LESS THAN 0.5% OF OXYGEN EQUIVALENT AT $25^{\circ}C$ ($77^{\circ}F$) IN ZERO GAS AFTER 42 SECONDS.
6. HUMIDITY -0-99% RH. (NON-CONDENSING)
7. OPERATING TEMPERATURE RANGE $0^{\circ}-40^{\circ}C$ ($32^{\circ}-104^{\circ}F$).
8. TEMPERATURE COEFFICIENT OF $2.5\%/^{\circ}C$ AT $25^{\circ}C$.
9. STORAGE TEMPERATURE RANGE $0-50^{\circ}C$ ($32-122^{\circ}F$).
10. EXCEPTED LIFE IN AIR @ $25^{\circ}C$ AND 50% R.H. + 8 MONTHS.
11. WEIGHT -.9oz. (26gm).

ITEM	QTY	PART NO.	DESCRIPTION
BILL OF MATERIAL			
DO NOT SCALE DWG		THIS DRAWING IS THE PROPERTY OF TELEDYNE ANALYTICAL INSTRUMENTS AND CONTAINS CONFIDENTIAL INFORMATION. IT IS NOT TO BE COPIED, REPRODUCED OR USED WITHOUT WRITTEN PERMISSION.	
TOLERANCE UNLESS OTHERWISE SPECIFIED: ANGULAR $\pm 1/2^{\circ}$		Teledyne Analytical Instruments A business unit of Teledyne Electronic Technologies CITY OF INDUSTRY, CALIFORNIA 91748	
LINEAR $\begin{cases} .X & = \pm .1 \\ .XX & = \pm .02 \\ .XXX & = \pm .005 \end{cases}$			
SIGNATURES		DATE	TITLE
N/	DRFT: <i>Maritza</i>	5/17/93	OXYGEN SENSOR CLASS B1 SPEC. CONTROL DWG.
P/	CHK:		
I/	APPR: J.M. LAUER	6-26-95	
F/	ENGR: JAY M. LAUER		
O/	S.O.:		
REFERENCE	CAD I.D. A59452-4	MATL.	DWG NO. A-59452
			SCALE --- SIM SHEET 1 OF 1 REV 4

