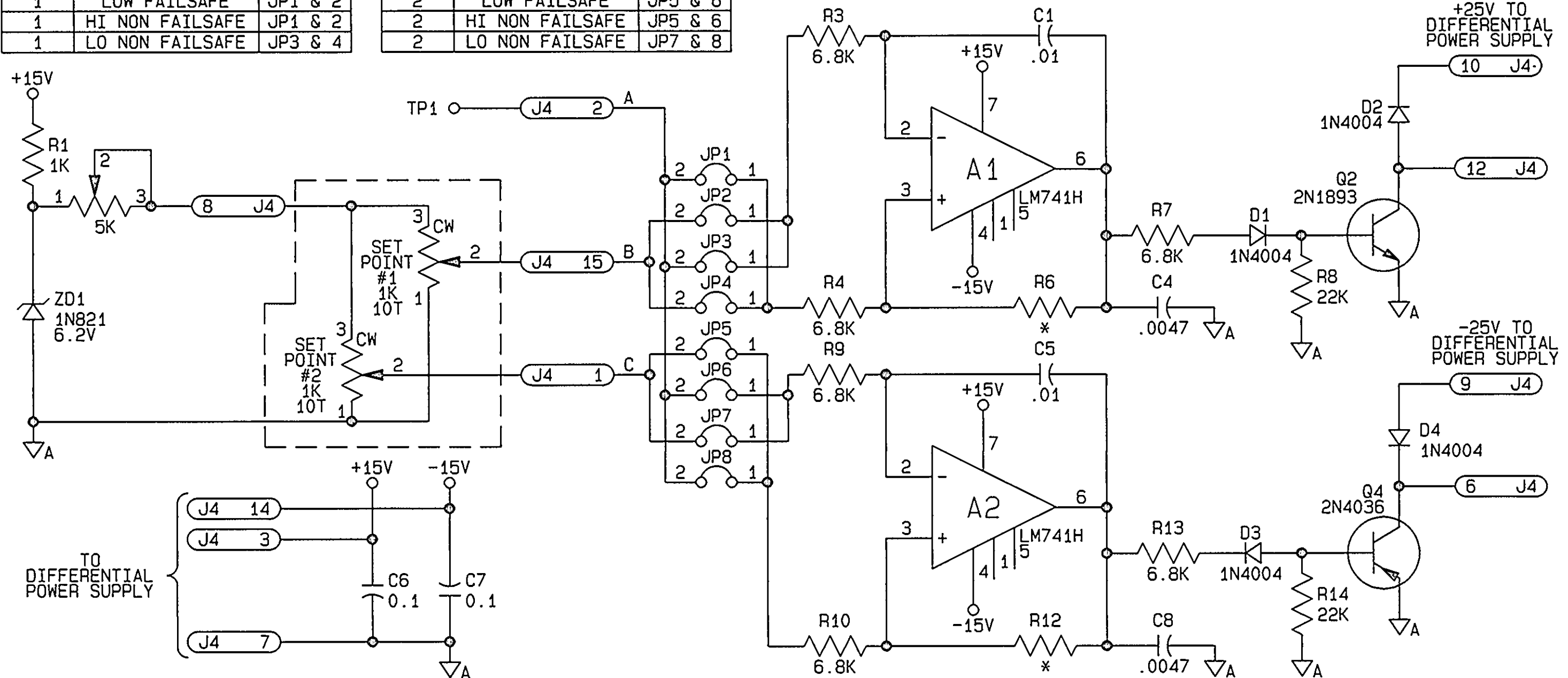


INSTALL JUMPERS AS FOLLOWS:

ALARM	CONDITION	INSTALL JUMPER
1	HIGH FAILSAFE	JP3 & 4
1	LOW FAILSAFE	JP1 & 2
1	HI NON FAILSAFE	JP1 & 2
1	LO NON FAILSAFE	JP3 & 4

ALARM	CONDITION	INSTALL JUMPER
2	HIGH FAILSAFE	JP7 & 8
2	LOW FAILSAFE	JP5 & 6
2	HI NON FAILSAFE	JP5 & 6
2	LO NON FAILSAFE	JP7 & 8

REVISIONS			
REV	DESCRIPTION	DATE	APPROVED
4	INC ECO 96-074	1-30-96	<i>[Signature]</i>



6. POT R2 IS 10K FOR SINGLE ALARM.
5. RESISTORS R6 AND R12 (*) ARE SELECTED AND ADDED AS TO BROADEN HYSTERESIS.
4. TRIMMING POT R2 IS FACTORY SET- DO NOT ADJUST.
3. CAPACITANCE VALUES ARE IN MICROFARADS, 50V, +/-10%.
2. RESISTANCE VALUES ARE IN OHMS, 1/8W, +/- 1%.
1. FOR ASSEMBLY SEE A9309 AND A10045.

NOTES: UNLESS OTHERWISE SPECIFIED

TOLERANCE UNLESS OTHERWISE SPECIFIED		THIS DRAWING IS THE PROPERTY OF TELEDYNE ANALYTICAL INSTRUMENTS AND CONTAINS CONFIDENTIAL INFORMATION IT IS NOT TO BE COPIED, REPRODUCED OR USED WITHOUT WRITTEN PERMISSION.	
DO NOT SCALE DWG		SCALE	NONE
DEC .XX	.X	ENGR	J. GIORS
.XXX	.1	DR	NANCY
BREAK EDGES	.02	MATERIAL	
		FINISH	
F/		<p style="text-align: center;">SCHEMATIC DIAGRAM - DUAL ALARM COMPARATOR</p>	
N/			
S.O.			
		<p style="text-align: center;">B-14718</p>	
		DATE	1/29/96
		SHEET	1 OF 1
		REV	4