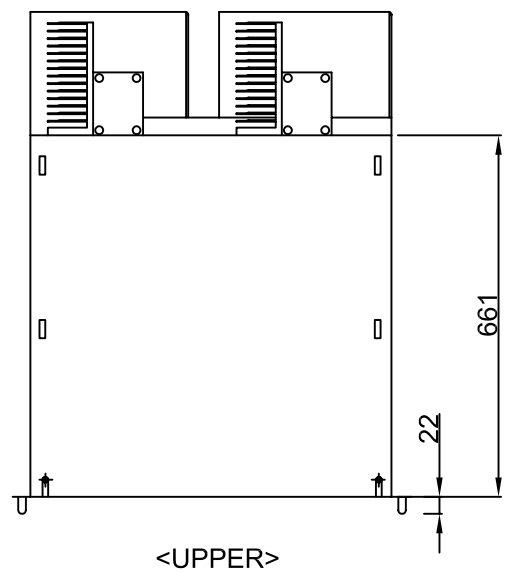


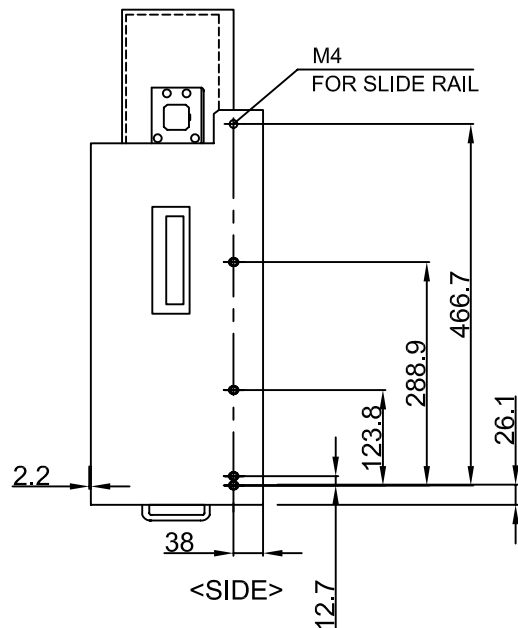
NOTES: UNLESS OTHERWISE SPECIFIED.

REVISIONS				
REV	DESCRIPTION	DATE	APP.	REV. BY
0	Initial Release			--

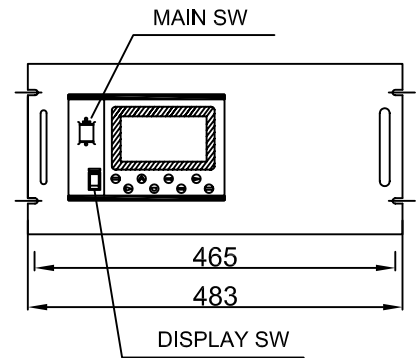
7600 OUTLINE



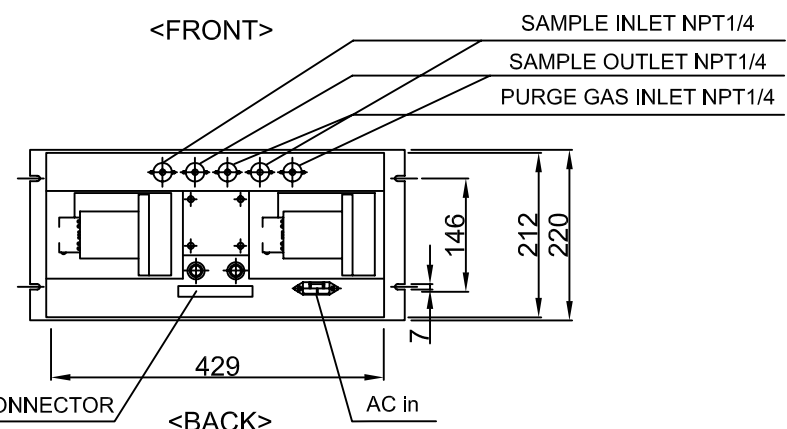
<UPPER>



<SIDE>



<FRONT>



<BACK>

MASS APPROX. 22kg
DIMENSION IN mm

DO NOT SCALE DWG		THIS DRAWING IS THE PROPERTY OF TELEDYNE INSTRUMENTS AND CONTAINS CONFIDENTIAL INFORMATION. IT IS NOT TO BE COPIED, REPRODUCED OR USED WITHOUT WRITTEN PERMISSION.	
TOLERANCE UNLESS OTHERWISE SPECIFIED: ANGULAR $\pm 1/2^\circ$ LINEAR $\begin{cases} .X & = \pm .1 \\ .XX & = \pm .02 \\ .XXX & = \pm .010 \end{cases}$		TELEDYNE INSTRUMENTS <i>Analytical Instruments</i> A Teledyne Technologies Company City of Industry, California, 91748, USA	
S/	SIGNATURES	DATE	TITLE
N/	DRFT: K.Murali		7600 OUTLINE INFRARED GAS ANALYZER
I/	CHK:		
P/	APPR: Tom Chernal		
O/	ENGR:		
F/	C.O.:		
REFERENCE	CAD I.D.	MATL.	DWG NO. B-033107
			REV 0

SCALE
SIM
SHEET 1 OF 1