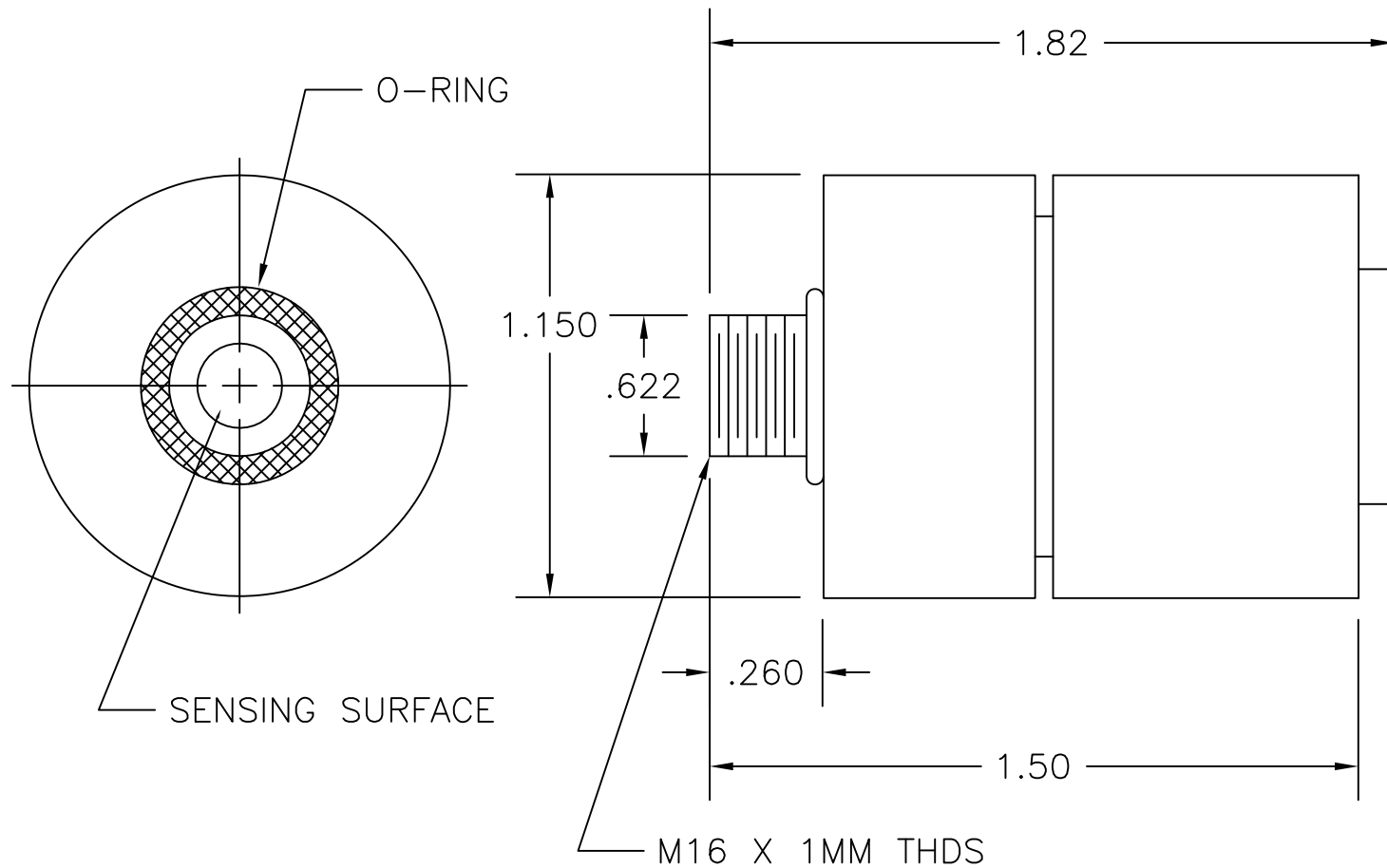


NOTES: UNLESS OTHERWISE SPECIFIED.



REVISIONS				
REV	DESCRIPTION	DATE	APP.	REV. BY
5	INC ECO 94-085	1/31/94	JML	--
6	INC ECO 96-712	3-11-97	M.G.	VF

SPECIFICATION:

- 1) OUTPUT $-(0.40 \pm 0.1)$ MICROAMPS) AT 25 °C, SEA LEVEL
- 2) RANGE - 0-100% OXYGEN
- 3) ACCURACY - WITH $\pm 2\%$ OF FULL SCALE AT CONSTANT TEMPERATURE AND PRESSURE WHEN CONNECTED TO PROPER AMPLIFIER CIRCUIT.
- 4) RESPONSE TIME - LESS THAN 6 SECONDS FOR 90% OF FINAL VALUE AT 5L/MIN.
- 5) OFFSET - LESS THAN 0.5% OF OXYGEN EQUIVALENT AT 25 °C(77 °F) IN ZERO GAS AFTER 36 SECONDS.
- 6) CROSS INTERFERENCE - LESS THAN 1.25% O2 RESPONSE TO: 6% HALOTHANE, 6% ISOFLURANE, 6% ENFLURANE, 7% SEVOFLURANE, 20% DESFLURANE, IN 30% O2/70% N2O MIXTURE.
- 7) HUMIDITY - 0-99% R.H. (NON-CONDENSING)
- 8) OPERATING TEMPERATURE RANGE - 0 TO 40 °C (32 TO 104 °F)
- 9) STORAGE TEMPERATURE - 0 TO 50 °C (32 TO 122 °F)
- 10) AVG. EXPECTED CELL LIFE - 36 MONTHS IN AIR AT 25 °C AND 50% R.H.
- 11) WEIGHT - 1.2 oz. (32 GRAMS)

NOTES:

- ① TEMPERATURE COMPENSATION ERROR IS $\pm 5\%$ OF FULL SCALE OVER THE OPERATING TEMPERATURE RANGE. WORST CASE TRACKING ERROR (WITHIN THE FIRST HOUR AFTER A MAXIMUM TEMPERATURE STEP) IS $\pm 10\%$ OF FULL SCALE.
- ② ASSEMBLY PACKAGED IN A GAS BARRIER BAG.
- ③ MATES ELECTRICALLY WITH TAI P/N C885 CABLE ASSY.
- ④ ASSEMBLY MANUFACTURED AND TESTED TO MPD-61679 AND TP-51327.
- ⑤ LABEL PER CUSTOMER SPECIFICATION.

ITEM	QTY	PART No.	DESCRIPTION
BILL OF MATERIAL			
DO NOT SCALE DWG		THIS DRAWING IS THE PROPERTY OF TELEDYNE ANALYTICAL INSTRUMENTS AND CONTAINS CONFIDENTIAL INFORMATION. IT IS NOT TO BE COPIED, REPRODUCED OR USED WITHOUT WRITTEN PERMISSION.	
TOLERANCE UNLESS OTHERWISE SPECIFIED: ANGULAR $\pm 1/2^\circ$		 Teledyne Analytical Instruments A business unit of Teledyne Electronic Technologies CITY OF INDUSTRY, CALIFORNIA 91748	
LINEAR			
.X = $\pm .1$.XX = $\pm .02$.XXX = $\pm .010$			
S/	SIGNATURES		DATE
N/	DRFT: Maritza V.		1/31/94
I/	CHK:		
P/	APPR:		
O/	ENGR:		
F/	A-51592	S.O.:	
REFERENCE	CAD I.D. B51492-6		
TITLE			SCALE NTS
CLASS T-7 OXYGEN SENSOR SPEC. CONTROL DRAWING			SIM -----
			SHEET 1 OF 1
MATL.		DWG NO.	REV
--		B-51492	6