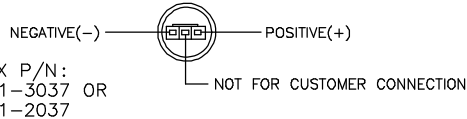


NOTES: UNLESS OTHERWISE SPECIFIED.

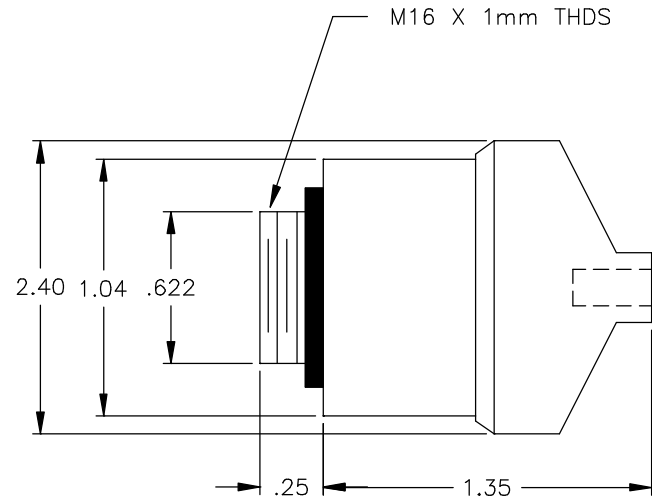
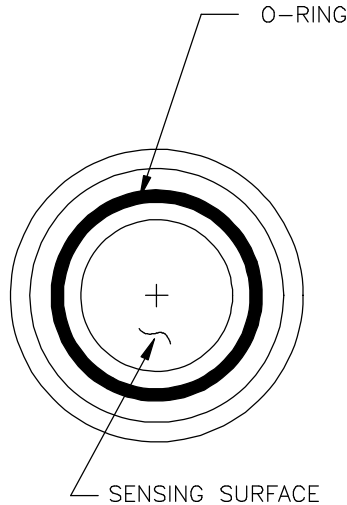
1. LABEL PER CUSTOMER SPECIFICATION
2. CONNECTIONS POLARITY :



3. TEMPERATURE COMPENSATION ERROR IS $\pm 5\%$ OF FULL SCALE OVER THE OPERATING TEMPERATURE RANGE. WORST CASE TRACKING ERROR (WITHIN THE FIRST HOUR AFTER A MAXIMUM TEMPERATURE STEP) IS $\pm 7.5\%$ OF FULL SCALE. (GAS SAMPLES MUST BE BROUGHT TO AMBIENT TEMPERATURE) PERCENT READOUT IS ONLY WITHIN $\pm 1\%$ AT CONSTANT PRESSURE (E.G. A 10% INCREASE IN PRESSURE WILL RESULT IN A 10% INCREASE IN READING).
4. ASSEMBLY TO BE PACKAGED IN A GAS BARRIER BAG.
5. ASSEMBLY MANUFACTURED TESTED TO MPD-61679.

SPECIFICATIONS:

- 1) INITIAL OUTPUT - (10 - 17 mV) IN AIR AT 25°C, SEA LEVEL.
- 2) RANGE - 0-100% OXYGEN
- 3) ACCURACY - WITHIN $\pm 2\%$ @ 60% O₂, $\pm 3\%$ @ 100% O₂ OF FULL SCALE AT CONSTANT TEMPERATURE AND PRESSURE WHEN CALIBRATED IN AIR.
- 4) RESPONSE TIME - LESS THAN 10 SECONDS FOR 90% OF FINAL VALUE.
- 5) OFFSET - LESS THAN 0.5% OF OXYGEN EQUIVALENT AT 25°C (77°F) IN ZERO GAS AFTER 60 SECONDS.
- 6) CROSS INTERFERENCE - LESS THAN 1.25% O₂ RESPONSE TO: 6% HALOTHANE, 6% ISOFLURANE, 6% ENFLURANE, 7% SEVOFLURANE, 20% DESFLURANE, IN 30% O₂/70% N₂ MIXTURE.
- 7) HUMIDITY - 0 TO 99% RH (NON-CONDENSING).
- 8) OPERATING TEMPERATURE RANGE - 0 TO 40 °C (32 TO 104 °F)
- 9) STORAGE TEMPERATURE - 0° TO 50°C (32° TO 122°F)
- 10) EXPECTED CELL LIFE - 24 MONTHS IN AIR AT 25 °C AND 50% R.H.
- 11) WEIGHT - 0.9 OZ (26 GRAMS)
- 12) LOAD - 10K REQUIRED



REVISIONS				
REV	DESCRIPTION	DATE	APP.	REV. BY
9	INC ECO 97-0892	11/20/97	JML	M.V.
10	INC ECO 01-0351	4/23/02	MG	VF

ITEM	QTY	PART No.	DESCRIPTION
BILL OF MATERIAL			
DO NOT SCALE DWG		THIS DRAWING IS THE PROPERTY OF TELEDYNE INSTRUMENTS AND CONTAINS CONFIDENTIAL INFORMATION. IT IS NOT TO BE COPIED, REPRODUCED OR USED WITHOUT WRITTEN PERMISSION.	
TOLERANCE UNLESS OTHERWISE SPECIFIED: ANGULAR $\pm 1/2^\circ$		TELEDYNE INSTRUMENTS Analytical Instruments A Teledyne Technologies Company City of Industry, California, 91748, USA	
LINEAR { .X = $\pm .1$			
{ .XX = $\pm .02$			
{ .XXX = $\pm .010$		TITLE SPEC CONTROL DWG OXYGEN SENSOR CLASS R24MED	
S/	SIGNATURES		DATE
N/	DRFT: MARITZA		9/1/94
I/	CHK:		
P/	APPR:		
O/	ENGR: JAY LAUER		
F/	C.O.:		
REFERENCE	CAD I.D. B62321-10		
MATERIAL		DWG NO.	REV
		B-62321	10
SCALE			---
SIM			NONE
SHEET			1 OF 1