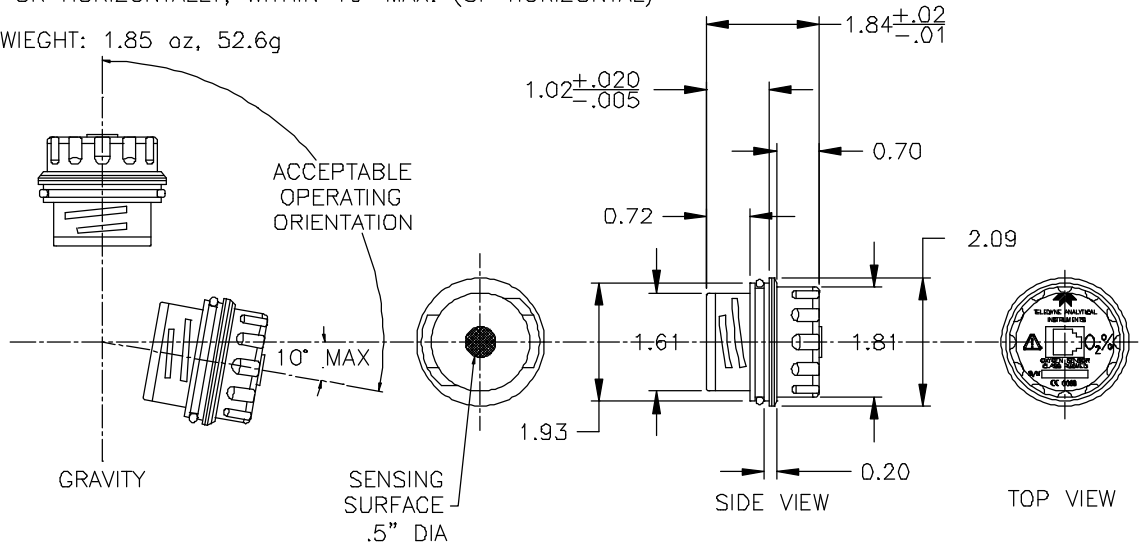


NOTES: UNLESS OTHERWISE SPECIFIED.

1. OUTPUT:  
8.0 TO 12.0 mV IN AMBIENT AIR AT 760 TORR PRESSURE 23±2°C
2. OPERATING CONDITIONS:  
TEMPERATURE: 10° TO 40°C  
HUMIDITY: 10% TO 95% R.H. NON CONDENSING  
PRESSURE: 90 TORR MAX.  
DIFFERENTIAL PRESSURE: 500 TO 800 TORR
3. STORAGE CONDITIONS:  
TEMPERATURE: -15° TO 50°C  
HUMIDITY: 10% TO 95% R.H. NON CONDENSING  
PRESSURE: 500 TO 800 TORR
4. TRANSPORT CONDITIONS:  
TEMPERATURE: -15° TO 50°C  
HUMIDITY: 10% TO 95% R.H. NON CONDENSING  
PRESSURE: 350 TORR FOR UP TO 24 HOURS
5. RANGE OF MEASUREMENT (FULL SCALE):  
0 TO 100% OXYGEN
6. ZERO OFFSET:  
LESS THAN 0.15mV
7. RESPONSE TIME  
0 TO 90% OF CHANGE IN 15 SECONDS OR LESS AT 23±2°C
8. LINEARITY:  
WITHIN ± 2% OF FULL SCALE
9. STABILITY:  
SPAN DRIFT:  
≤±0.5% OF FULL SCALE PER 24 HOURS  
UNDER CONSTANT ENVIRONMENTAL CONDITIONS  
ZERO DRIFT:  
≤±0.5% OF FULL SCALE PER MONTH  
UNDER CONSTANT ENVIRONMENTAL CONDITIONS
10. INTERFERENCE:  
< 1% OF FULL SCALE IN PRESENCE OF NITROUS OXIDE,  
CARBON DIOXIDE AND HELIUM

TO CONVERT TORR TO PI: PSI=\_\_\_TORR/51.75

11. TEMPERATURE EFFECTS:  
LESS THAN ±1.5% OF FULL SCALE ERROR  
OVER OPERATING TEMPERATURE RANGE
12. LIFE:  
900,000 % OXYGEN HOURS
13. ORIENTATION:  
SPECIFICATIONS ARE VALID FOR INSTALLATIONS  
WHERE THE SENSING AREA IS MOUNTED VERTICALLY  
OR HORIZONTALLY, WITHIN 10° MAX. (OF HORIZONTAL)
14. WIEGHT: 1.85 oz, 52.6g



REVISIONS				
REV	DESCRIPTION	DATE	APP.	REV. BY
0	Production Release 00-0391	9-21-00	M.G.	--
1	INC ECO 01-0079	7/20/01	MG	VF

ITEM	QTY	PART No.	DESCRIPTION
BILL OF MATERIAL			
DO NOT SCALE DWG		THIS DRAWING IS THE PROPERTY OF TELEDYNE ANALYTICAL INSTRUMENTS AND CONTAINS CONFIDENTIAL INFORMATION. IT IS NOT TO BE COPIED, REPRODUCED OR USED WITHOUT WRITTEN PERMISSION.	
TOLERANCE UNLESS OTHERWISE SPECIFIED: ANGULAR ±1/2°		 Teledyne Analytical Instruments A business unit Teledyne Electronic Technologies CITY OF INDUSTRY, CALIFORNIA 91748	
LINEAR { .X = ±.1 { .XX = ±.02 { .XXX = ±.010			
S/			
S/	SIGNATURES		DATE
N/	DRFT: D. COMSA		9-19-00
I/	CHK:		
P/	APPR:		
Q/	ENGR: M. GONZALEZ		
F/	C.O.:		
REFERENCE	CAD I.D. B72939-1		
TITLE			SCALE 1:2
SPEC. CONTROL DWG.			SIM
OXYGEN SENSOR			SHEET 1 OF 1
CLASS R30MED			
MATL.		DWG NO.	REV
		<b>B-72939</b>	1