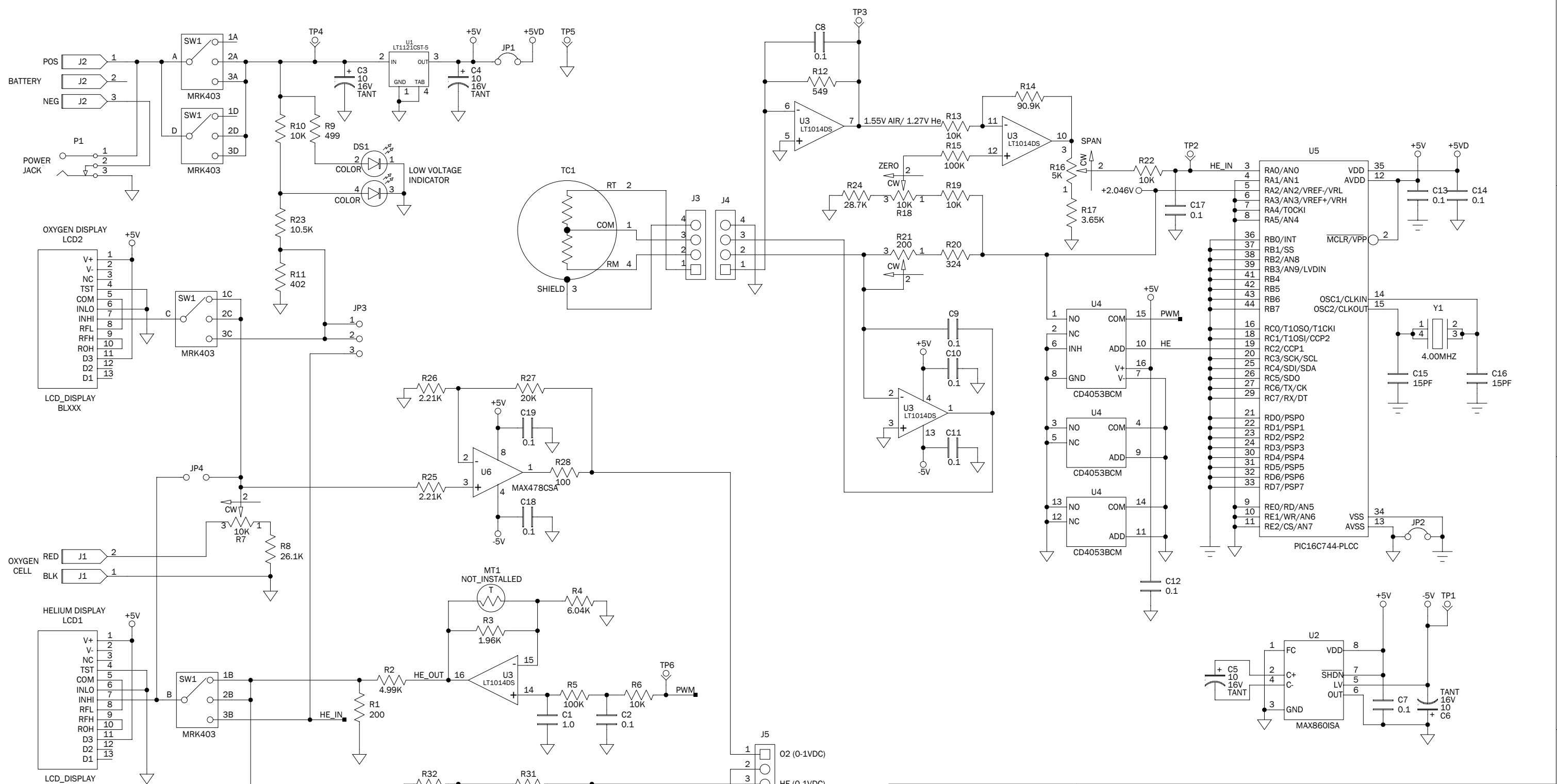


REVISIONS				
ZONE	REV	DESCRIPTION	DATE	APPROVED
	0	PRODUCTION RELEASE	11/23/02	
	1	INCORPORATED ECO	11/1/04	



UNLESS OTHERWISE SPECIFIED:
 DIMENSIONS ARE IN INCHES.
 TOLERANCES ARE:
 XX: +/- 0.02
 XXX: +/- 0.010
 ANGLE: +/- 0.5

DO NOT SCALE DRAWING

TELEDYNE ANALYTICAL INSTRUMENTS
 A Business Unit of Teledyne Electronic Technologies
 CITY OF INDUSTRY, CALIFORNIA 91748

SCHEMATIC DIAGRAM
He/O2 Analyzer Main PCB

SIZE	DRAWING NO.	REV
B	B-75027	1
SCALE	FILENAME	SHEET
	B75027-1.1	1 OF 1