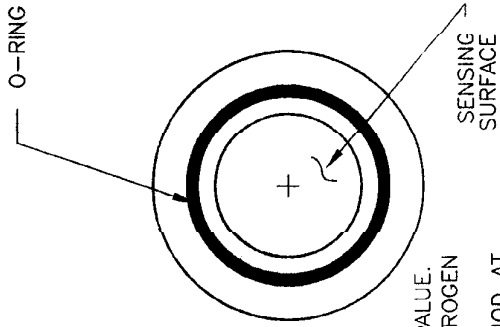
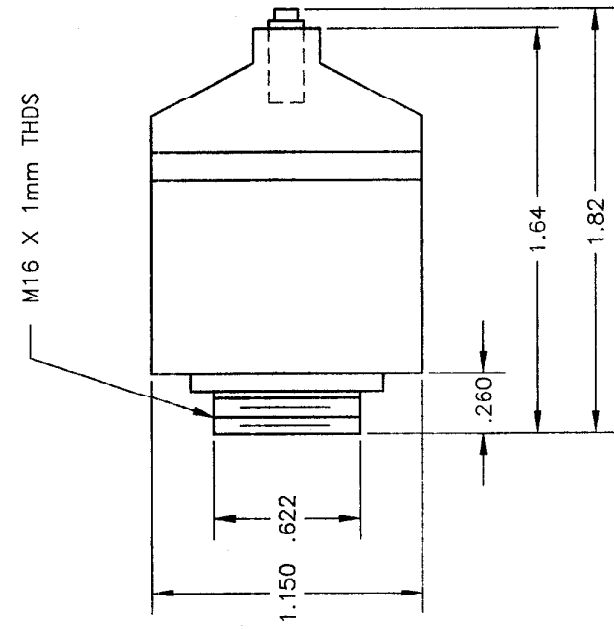


REVISIONS			
REV.	DESCRIPTION	DATE	APP. BY
0	INITIAL RELEASE, 03-0002	1-21-03	M.L.B.



NOTES: UNLESS OTHERWISE SPECIFIED.

1. LABEL PER CUSTOMER SPECIFICATION
2. ELECTRICAL CONNECTOR: SWITCHCRAFT TYPE 712A OR CUI STACK PJ-005B POWER JACK (TIP CENTER = POSITIVE (+); OUTER SLEEVE NEGATIVE(-)); TYPICAL MATING PLUG (FEMALE) CUI STACK PP-002B.
3. TEMPERATURE COMPENSATION ERROR IS LESS THAN ±3% OF FULL SCALE OVER 15 TO 40 DEG C AND LESS THAN ±5% OF FULL SCALE OVER THE OPERATING TEMPERATURE RANGE. WORST CASE TRACKING ERROR (WITHIN THE FIRST HOUR AFTER A MAXIMUM TEMPERATURE STEP) IS ± 10% OF FULL SCALE. (GAS SAMPLES MUST BE BROUGHT TO AMBIENT TEMPERATURE) PERCENT READOUT IS ONLY WITHIN ± 1% AT CONSTANT PRESSURE (E.G. A 10% INCREASE IN PRESSURE WILL RESULT IN A 10% INCREASE IN READING).
4. ASSEMBLY TO BE PACKAGED IN A GAS BARRIER BAG.
5. ASSEMBLY MANUFACTURED AND TESTED TO MPC-75423.

SPECIFICATIONS:

- 1) OUTPUT: (12 ± 3 mV) IN AIR AT 25°C, SEA LEVEL, 50% R.H.
- 2) RANGE: 0 TO 100% OXYGEN.
- 3) LINEARITY / ACCURACY: WITHIN +/-1% OF FULL SCALE AT CONSTANT TEMPERATURE AND PRESSURE.
- 4) RESPONSE TIME: LESS THAN < 5 SECONDS FOR 90% OF FINAL VALUE.
- 5) ZERO OFFSET: LESS THAN 0.20 mV WHEN EXPOSED TO 100% NITROGEN APPLIED FOR 1 MINUTE AT 25°C (77°F)
- 6) STABILITY: LESS THAN 1% OF FULL SCALE OVER AN 8 HOUR PERIOD AT CONSTANT TEMPERATURE, PRESSURE AND HUMIDITY.
- 7) WARM-UP TIME: LESS THAN 30 MINUTES AFTER REPLACEMENT OF SENSOR.
- 8) CROSS INTERFERENCE: LESS THAN 1.25% O2 RESPONSE TO: 6% HALOTHANE, 6% ISOFURANE, 6% ENFLURANE 7% SEVOFLURANE, 20% DESFLURANE, IN 30% O2/70% N2O MIXTURE.
- 9) HUMIDITY: 0 TO 99% R.H. (NON-CONDENSING).
- 10) OPERATING TEMPERATURE RANGE: 0 TO 40°C (32 TO 104°F)
- 11) STORAGE TEMPERATURE: 0 TO 50°C (32 TO 122°F)
- 12) AV3. EXPECTED CELL LIFE: GREATER THAN 500,000% OXYGEN HOURS UNDER NORMAL CONDITIONS (EQUIVALENT TO 34 MONTHS IN AIR AT 25°C AND 50% R.H.)
- 13) FRONT THREAD: M16 X 1MM
- 14) WEIGHT: 1.1 OZ (31 GRAMS)
- 15) LOAD: 10K REQUIRED

ITEM	QTY	PART No.	DESCRIPTION
BILL OF MATERIAL			
THIS DRAWING IS THE PROPERTY OF TELEDYNE ANALYTICAL INSTRUMENTS AND CONTAINS CONFIDENTIAL INFORMATION. IT IS NOT TO BE COPIED, REPRODUCED OR USED WITHOUT WRITTEN PERMISSION.			
Teledyne Analytical Instruments A business unit of Teledyne Electronic Technologies CITY OF INDUSTRY, CALIFORNIA 91748			
DO NOT SCALE DWG		DATE	TITLE
TOLERANCE UNLESS OTHERWISE SPECIFIED: ANGULAR ±1/2°		1/08/03	SPEC. CONTROL DWG.
LINEAR { .X = ±.1 .XX = ±.02 .XXX = ±.010			OXYGEN SENSOR
SIGNATURES			CLASS R34MED
DRAFT: EMEKA IKPA	DATE		DWG NO. B-75359
CHK:			REV. 0
APPR:			
ENGR:			
S.O.:			
REFERENCE			

PRELIMINARY PRINT

DATE 1-21-03 INIT. M.L.B.