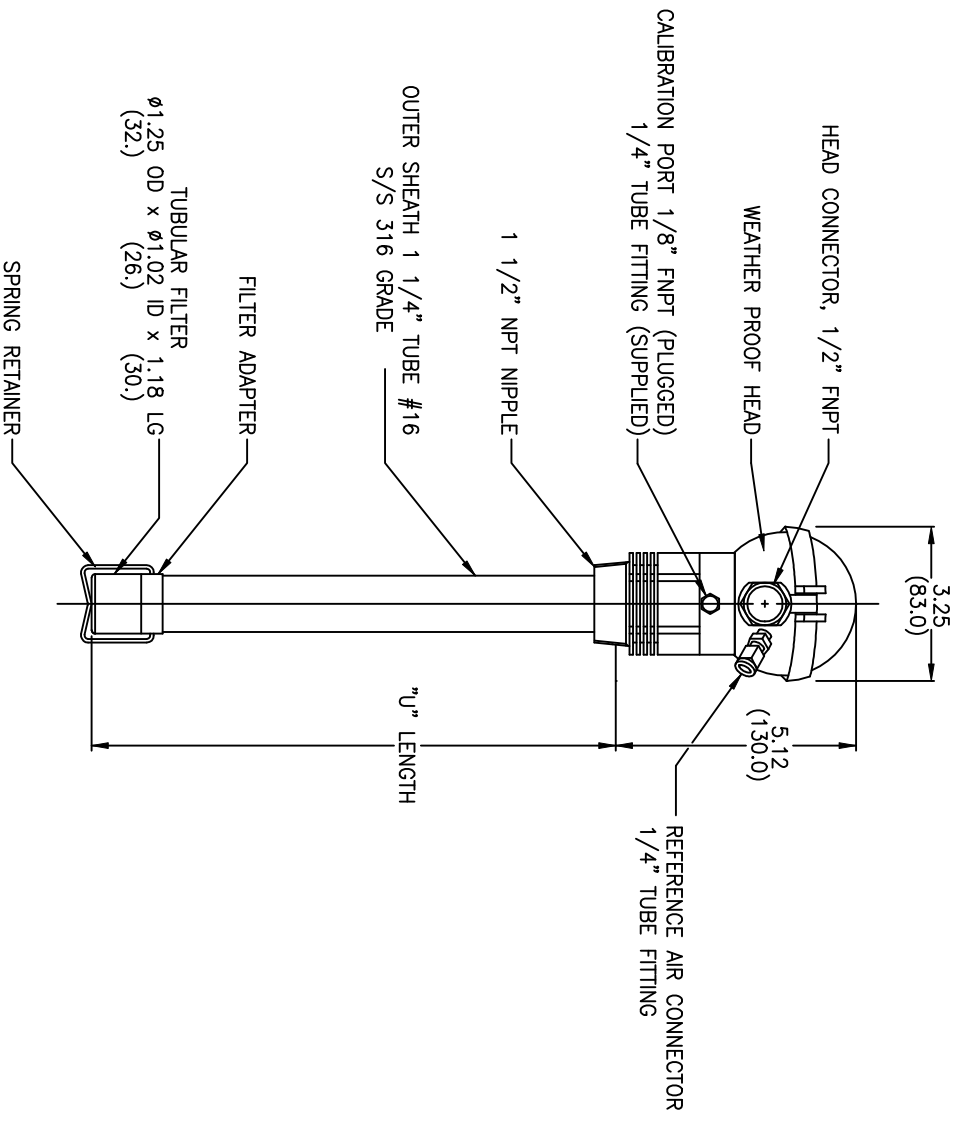


NOTES: UNLESS OTHERWISE SPECIFIED.  
 1. ALL DIMENSIONS ARE IN INCHES (±.06) OR MILLIMETERS (±1.) INCHES (mm)



REVISIONS				
REV	DESCRIPTION	DATE	APP.	REV.
0	INITIAL RELEASE	12/9/96	MT	--

TABULATION	
CONFIG	"U" LENGTH
A	10.0 (254.)
B	20.0 (508.)
C	30.0 (762.)
D	40.0 (1016.)

ITEM	QTY	PART NO.	DESCRIPTION
<p>DO NOT SCALE DWG</p> <p>TOLERANCE UNLESS OTHERWISE SPECIFIED: ANGULAR ±1/2°</p> <p>LINEAR ±.005</p> <p>XXX ±.010</p>			
<p>THIS DRAWING IS THE PROPERTY OF TELEDYNE ANALYTICAL INSTRUMENTS AND CONTAINS CONFIDENTIAL INFORMATION. IT IS NOT TO BE COPIED, REPRODUCED OR USED WITHOUT WRITTEN PERMISSION.</p>			
<p>Teledyne Analytical Instruments</p> <p>A business unit of Teledyne Electronic Technologies</p> <p>CITY OF INDUSTRY, CALIFORNIA 91748</p>		<p>MDL 9060H HEATED PROBE OUTLINE ZIRCONIUM OXIDE OXYGEN ANALYZER</p>	
<p>DATE: 12/09/96</p> <p>CHK: JOHN RISTES</p> <p>APP: KIM JOHNS</p> <p>ENG: KIM JOHNS</p> <p>S.O. STANDARD</p>		<p>SCALE: 1:2</p> <p>SHEET: 1 OF 1</p> <p>REV: 0</p>	
<p>SIGNATURES</p>		<p>DWG NO. C-67574</p>	
<p>REFERENCE</p>		<p>CAD ID: C67574-0</p>	