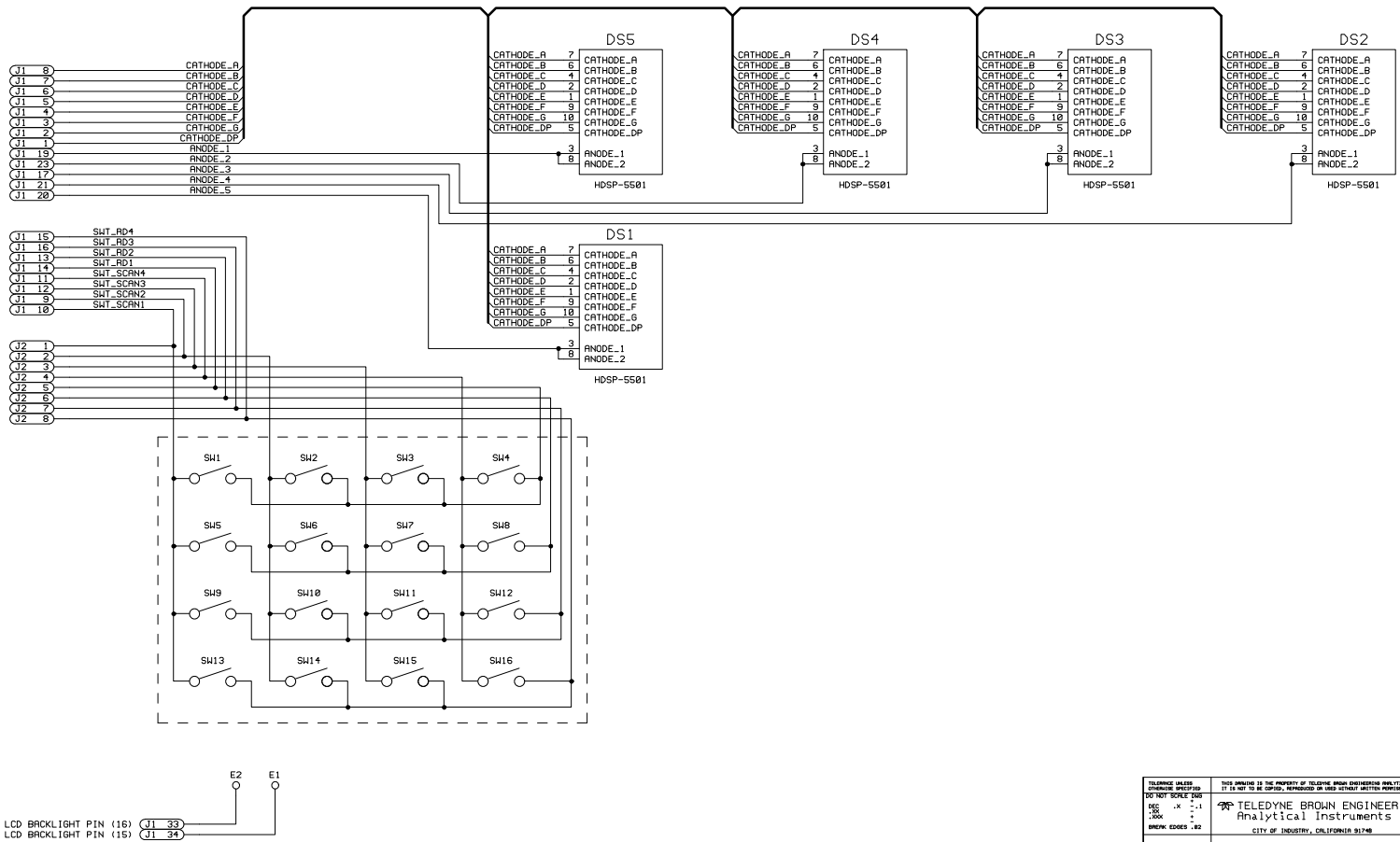


Dwg. No. D-62370		REV 1	
REVISIONS			
DATE	DESCRIPTION	DATE	APPROVED
1	INITIAL RELEASE ECO 95-019		

NOTES: UNLESS OTHERWISE SPECIFIED

1. PREPARED IAW DOCUMENTS LISTED:
 GRAPHIC SYMBOLS: ANS1 Y32.2
 REFERENCE DESIGNATORS: ANS1 Y32.15
 DEFINITIONS OF ENGR DWGS: ANS1 Y14.15
2. FOR ASSEMBLY SEE C62370.
3. RESISTANCE VALUES ARE IN OHMS, 1/8W, +/- 1%.
4. CAPACITANCE VALUES ARE IN MICROFARADS, 50U, +/-10%.



TOLERANCE (ALL UNLESS OTHERWISE SPECIFIED) DIMENSIONS UNLESS OTHERWISE SPECIFIED	THIS DRAWING IS THE PROPERTY OF TELEDYNE BROWN ENGINEERING ANALYTICAL INSTRUMENTS AND CONTAINS CONFIDENTIAL INFORMATION. IT IS NOT TO BE COPIED, REPRODUCED OR USED WITHOUT WRITTEN PERMISSION.	SCALE: NONE	DR: T. ACENTRE
DES: J.S.	TELEDYNE BROWN ENGINEERING Analytical Instruments	ENGR: J.P.P.	
DRAWN: E.C.S.	CITY OF INDUSTRY, CALIFORNIA 91740	REVISIONS	
	SCHEMATIC DIAGRAM - MODEL 3000 FRONT PANEL DISPLAY	DATE: 3/27/94	SHEET: 1 OF 1