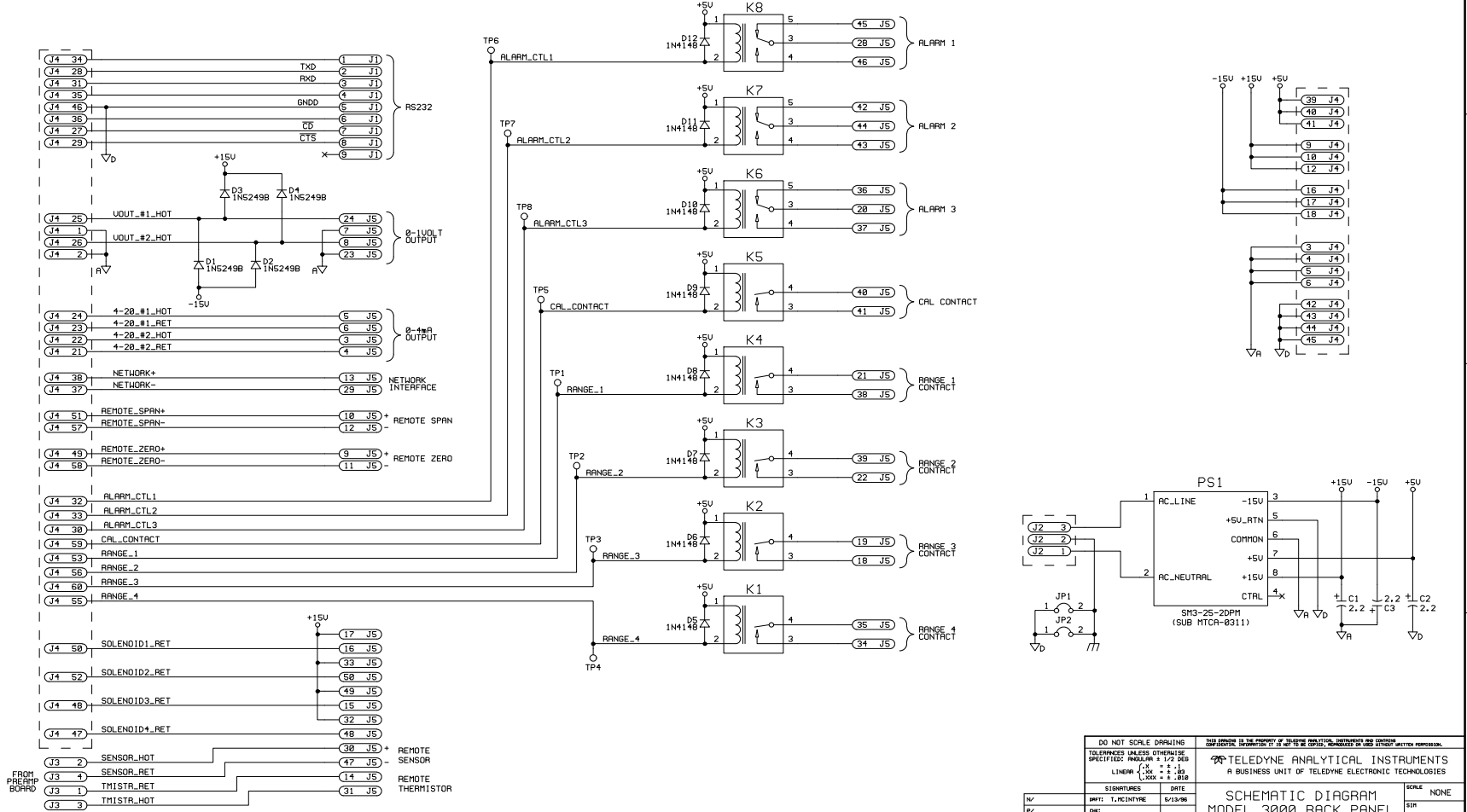


Dwg. No.		REV	
D-65506		SH 1	REV 2
DATE	DESCRIPTION	DATE	APPROVED
0	INITIAL RELEASE ECD 96-377	5/31/96	RA
1	INCORPORATED ECD 96-1149	11/4/96	RA
2	INCORPORATED ECD 97-0117		

NOTES: UNLESS OTHERWISE SPECIFIED

1. PREPARED IAW DOCUMENTS LISTED:  
GRAPHIC SYMBOLS: ANSI Y32.2  
REFERENCE DESIGNATORS: ANSI Y32.16  
DEFINITIONS OF ENGR DMS: ANSI Y14.15
2. FOR ASSEMBLY SEE C65507.
3. RESISTANCE VALUES ARE IN OHMS, 1/8W, +/- 1%.
4. CAPACITANCE VALUES ARE IN MICROFARADS, 50U, +/-10%.



SIGNATURES		DATE	SCALE	NONE
NY	UNIT: T. I. C. INSTRUMENTS	5/31/96		
PV	CHK:			
LV	APPV:			
FV	DRW:			
CV	REL:			
REFERENCE	DRG ID: D65880-2, SCH			

DO NOT SCALE DRAWING		TOLERANCES UNLESS OTHERWISE SPECIFIED: FRACTIONS ± 1/2 DECIMAL ± .01 LINEAR ± .005 ± .010	
TELEDYNE ANALYTICAL INSTRUMENTS		A BUSINESS UNIT OF TELEDYNE ELECTRONIC TECHNOLOGIES	
SCHEMATIC DIAGRAM		MODEL 300B BACK PANEL BOARD (EURO VERSION)	
Dwg. No. D-65506		REV. 2	

FROM PREPARED BOARD