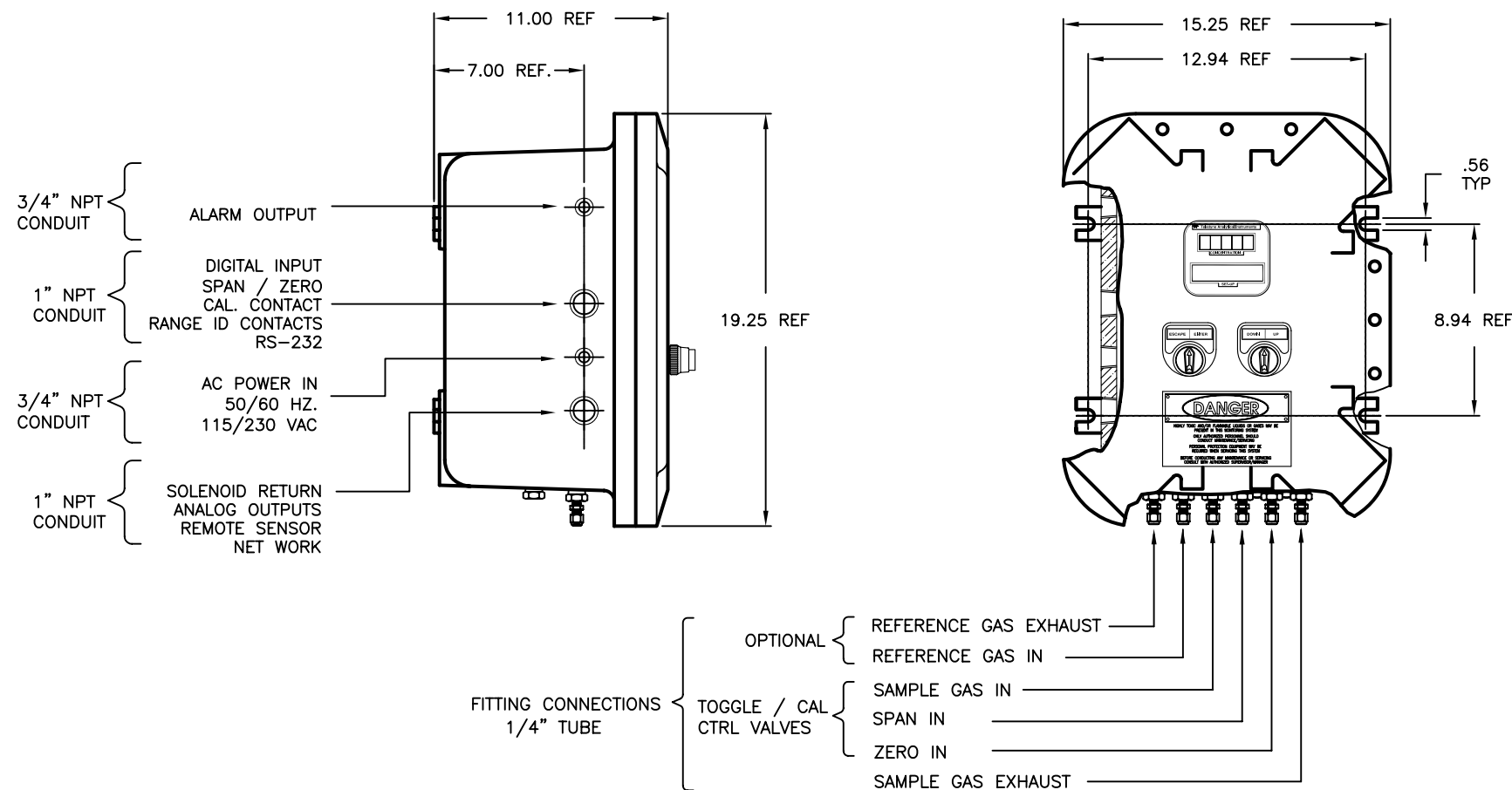


NOTES: UNLESS OTHERWISE SPECIFIED.

- ① INTERCONNECTION & PIPING DIAGRAM: DWG# D-67113
- ② WIRING DIAGRAM: DWG# D-67129
- ③ FINAL ASSEMBLY: DWG# D-67677

REVISIONS				
REV	DESCRIPTION	DATE	APP.	REV. BY
1	REL. PER ECO# 96-1161	7/24/97	R.N.	R.N.
2	INC. ECO# 99-0249	12/1/00	AA	AM

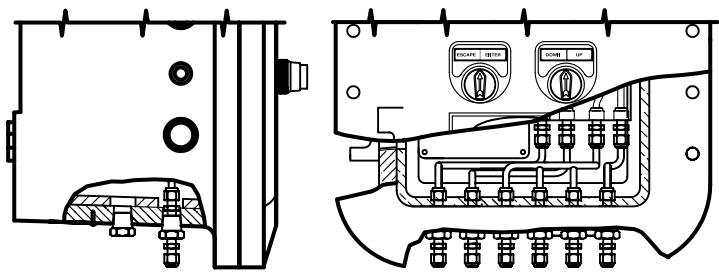


BASIC MDL. 2020

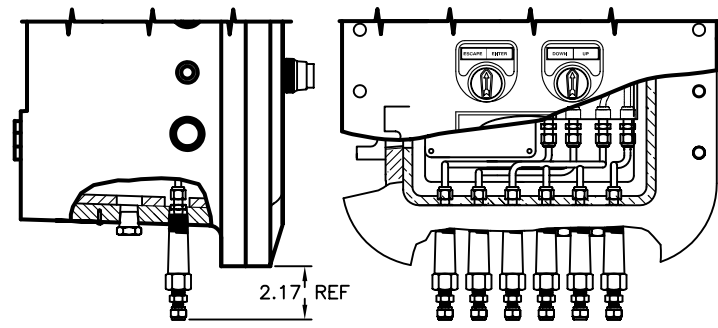
2020 OPTIONS LEGEND	
DRAWING CONFIGURATION	OPTIONS
AA	2020
A	2020-L
B	2020-C
C	2020-R
D	2020-FAB
E	2020-L-FAB
F	2020-C-FAB
G	2020-R-FAB
H	2020-FACD
I	2020-L-FACD
J	2020-C-FACD
K	2020-R-FACD

3020 - MODEL NO.
 L - FLOW CONTROL GAS PANEL
 C - CALIBRATOR VALVE
 R - SEALED REFERENCE
 FAB - GROUP B FLAME ARRESTOR
 FACD - GROUP C&D FLAME ARRESTOR

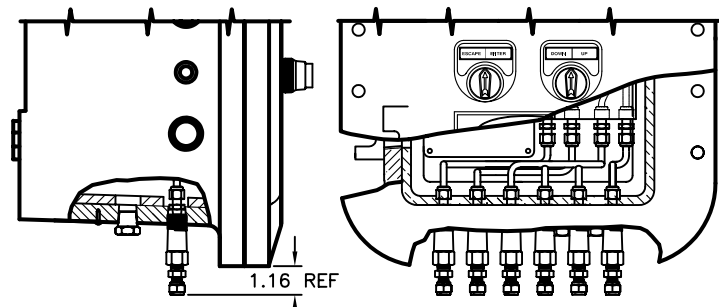
ITEM	QTY	PART NO.	DESCRIPTION
BILL OF MATERIAL			
DO NOT SCALE DWG			
TOLERANCE UNLESS OTHERWISE SPECIFIED: ANGULAR ±1/2° LINEAR .XX = ±.1 .XXX = ±.02 XXXX = ±.010			
Teledyne Analytical Instruments A business unit of Teledyne Electronic Technologies CITY OF INDUSTRY, CALIFORNIA 91748			
S/		SIGNATURES	DATE
N/		DRFT: R. NEPOMUCENO	2-28-97
I/		CHK:	
Q/		APPR: RUPERT N.	4-7-97
P/ D-67113		ENGR: RUPERT NEPOMUCENO	
F/ D-67677		S.O.	
REFERENCE		CAD ID D67110-2	
TITLE			SCALE 1/4
OUTLINE DIAGRAM			SIM
THERMAL CONDUCTIVITY,			SHEET 1 of 2
ANALYZER, MODEL 2020			
MATERIAL		DWG NO.	REV
AS NOTED		D-67110	2



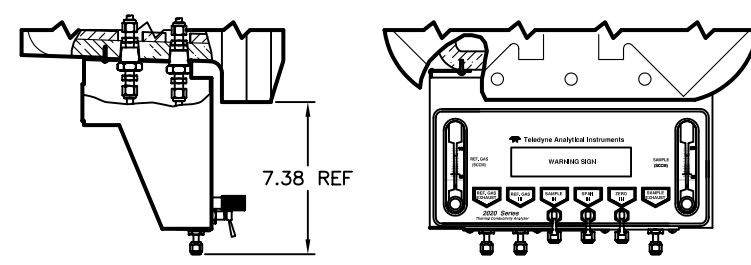
CONFIGURATION "AA"



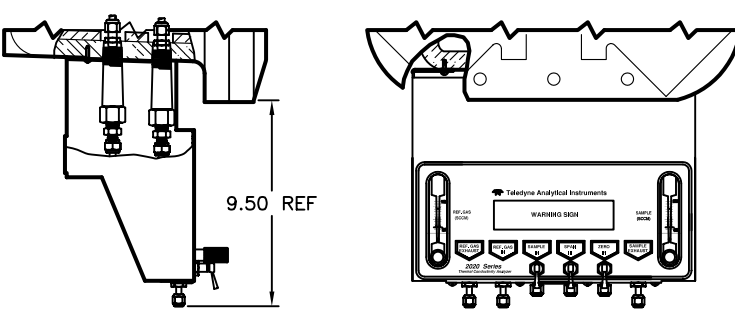
CONFIGURATION "D"



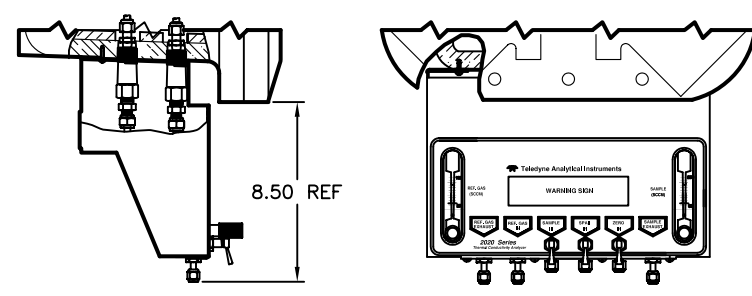
CONFIGURATION "H"



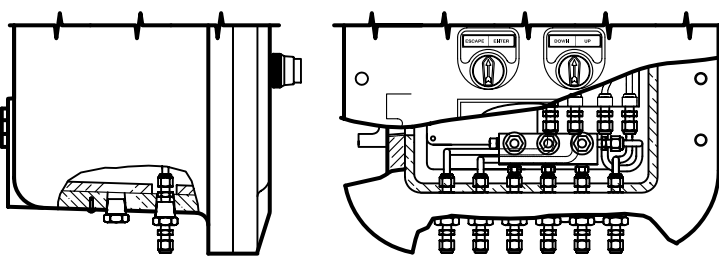
CONFIGURATION "A"



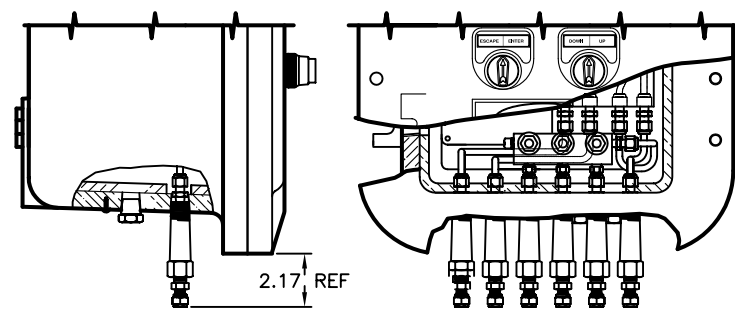
CONFIGURATION "E"



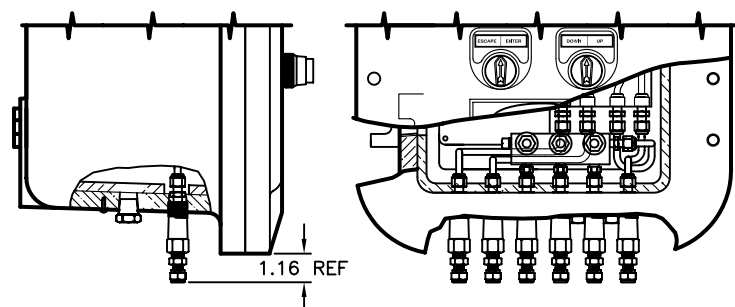
CONFIGURATION "I"



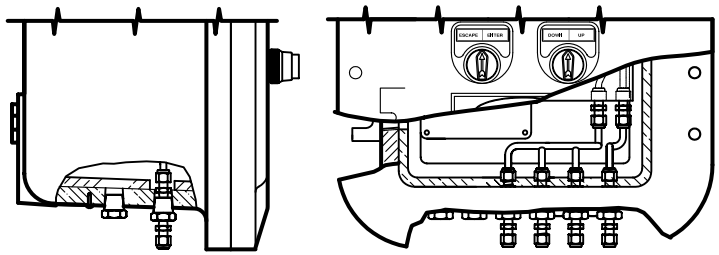
CONFIGURATION "B"



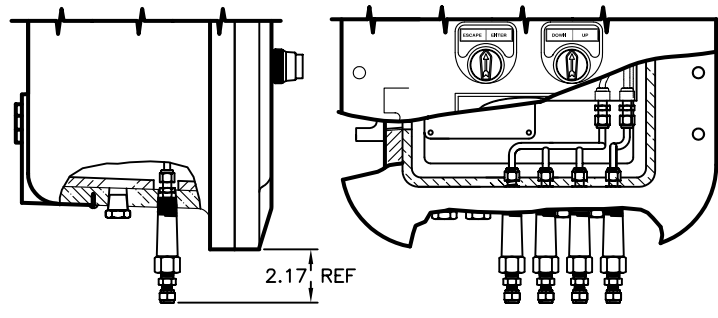
CONFIGURATION "F"



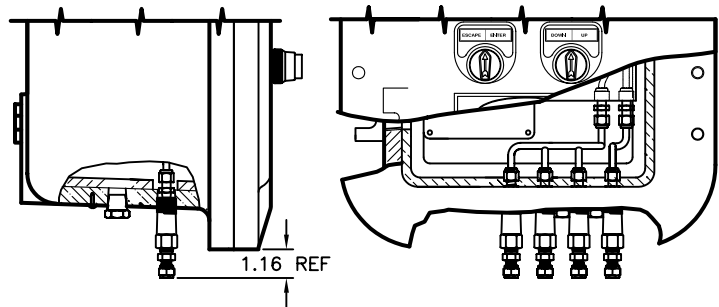
CONFIGURATION "J"



CONFIGURATION "C"



CONFIGURATION "G"



CONFIGURATION "K"