

NOTES: UNLESS OTHERWISE SPECIFIED.

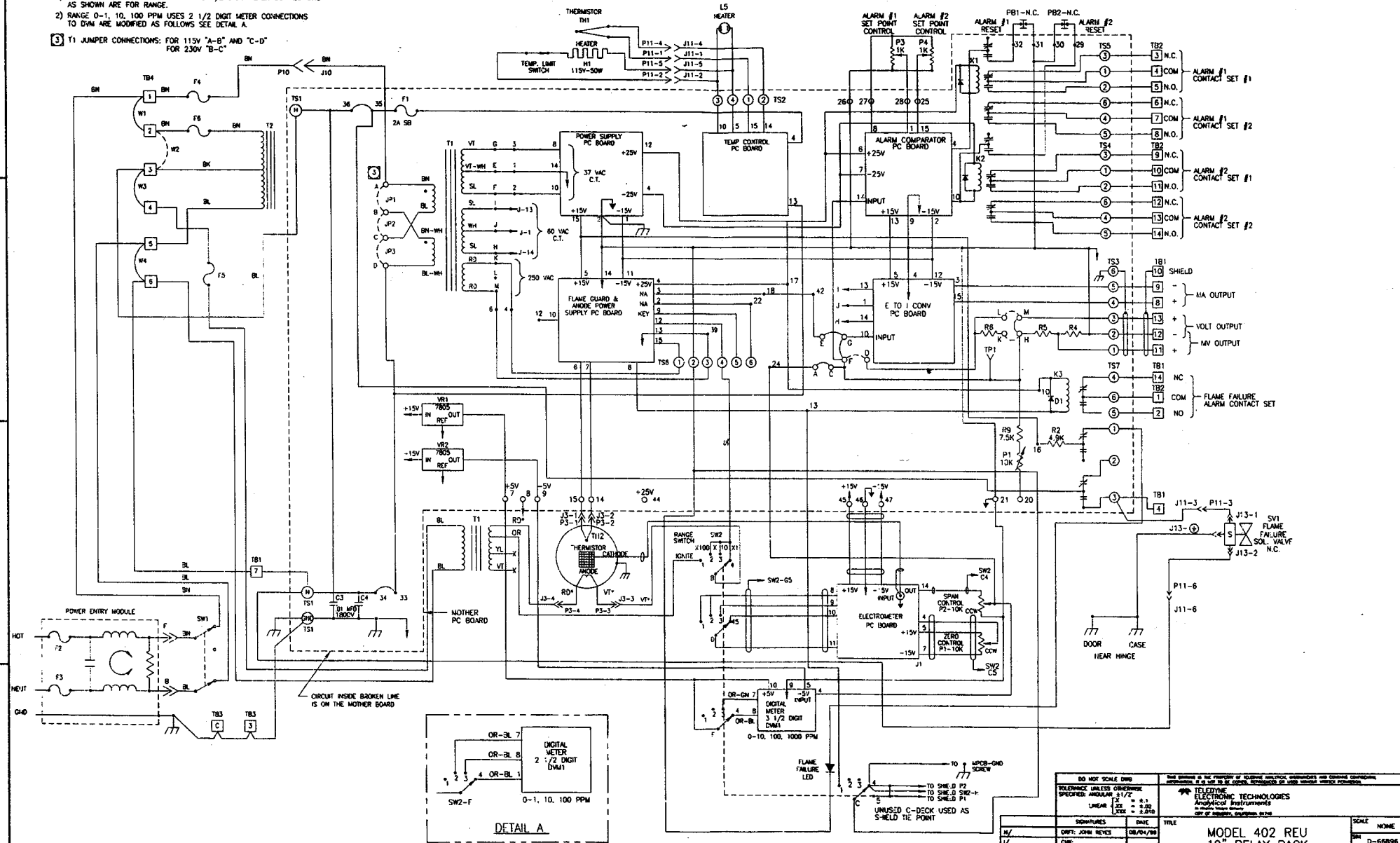
FOR DVM CONNECTIONS:

1) RANGE 0-10, 100, 1000 PPM USES 3 1/2 DIGIT METER CONNECTIONS AS SHOWN ARE FOR RANGE.

2) RANGE 0-1, 10, 100 PPM USES 2 1/2 DIGIT METER CONNECTIONS TO DVM ARE MODIFIED AS FOLLOWS SEE DETAIL A.

3) Y1 JUMPER CONNECTIONS: FOR 115V "A-B" AND "C-D" FOR 230V "B-C"

| REV | DESCRIPTION | DATE | APP. | REV. ST. |
|-----|----------------------|----------|------|----------|
| 0 | REL PER ECO# 97-0323 | 04/17/97 | RB | -- |



DO NOT SCALE DIMS
 TELEPHONE SALES DEPARTMENT
 SPECIFIC MODEL# 411/2
 LINEAR 1/2" = 1.00"
 ANGULAR 1/2" = 2.00"
 DIA. 1/2" = 2.00"
 TELETYPE ELECTRONIC TECHNOLOGIES
 Analytical Instruments
 10000 SHELTER DRIVE
 SAN ANTONIO, TEXAS 78224

| SIGNATURES | DATE | TITLE | SCALE | NAME |
|------------|---------------------|----------|-------|------|
| W/ | DRY: JOHN REYES | DR/DR/DR | | |
| L/ | CHK: | | | |
| Q/ | APPR: | | | |
| P/ | ENGR: RICHARD BEARS | | | |
| E/ | E.O. STANDARD | | | |
| REFERENCE | CAD IS 087824-0 | | | |

| MODEL | DWG NO. | REV |
|--|---------|--------|
| MODEL 402 REU 19" RELAY RACK SCHEMATIC | D-67924 | 1 OF 1 |