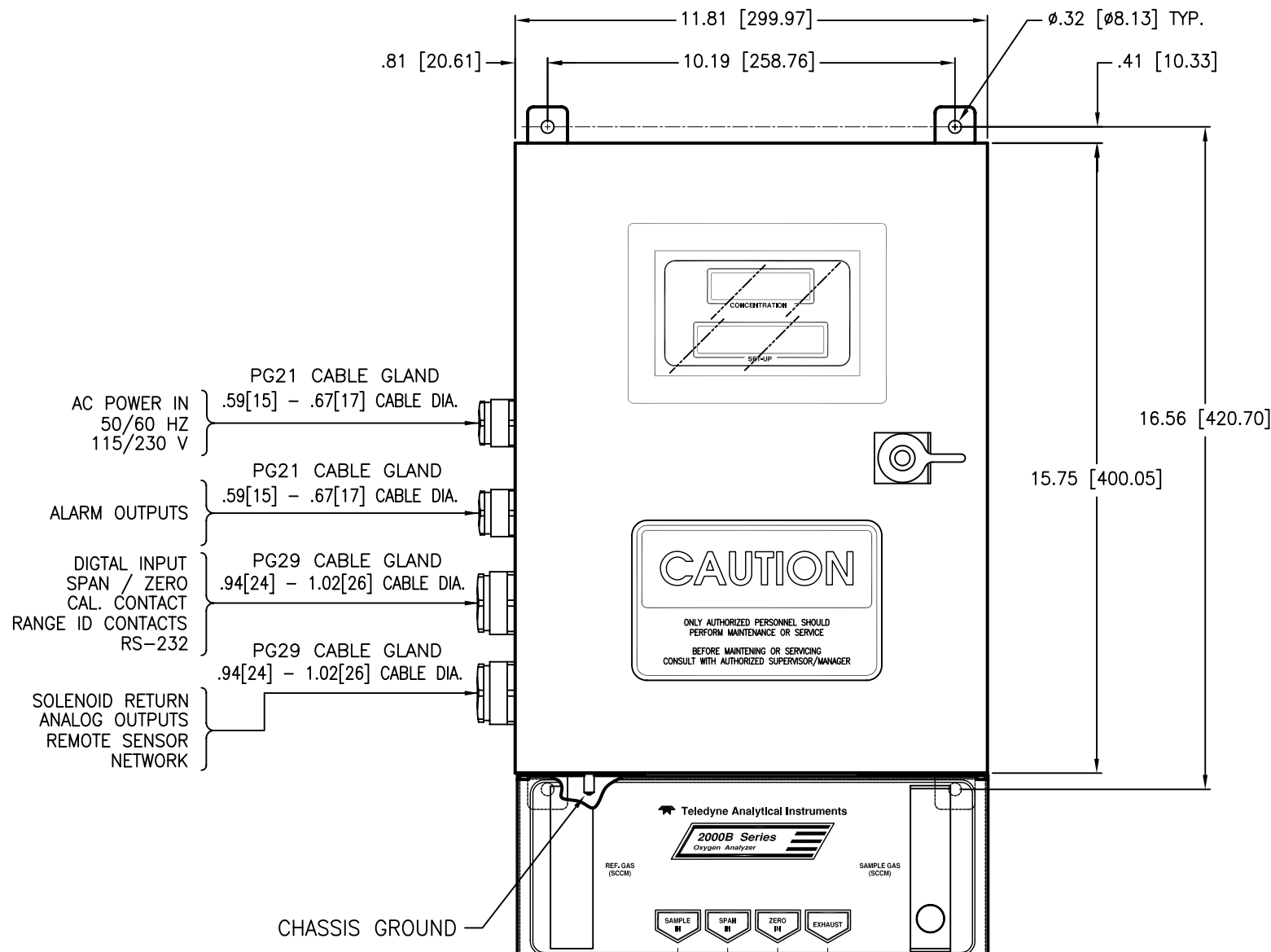
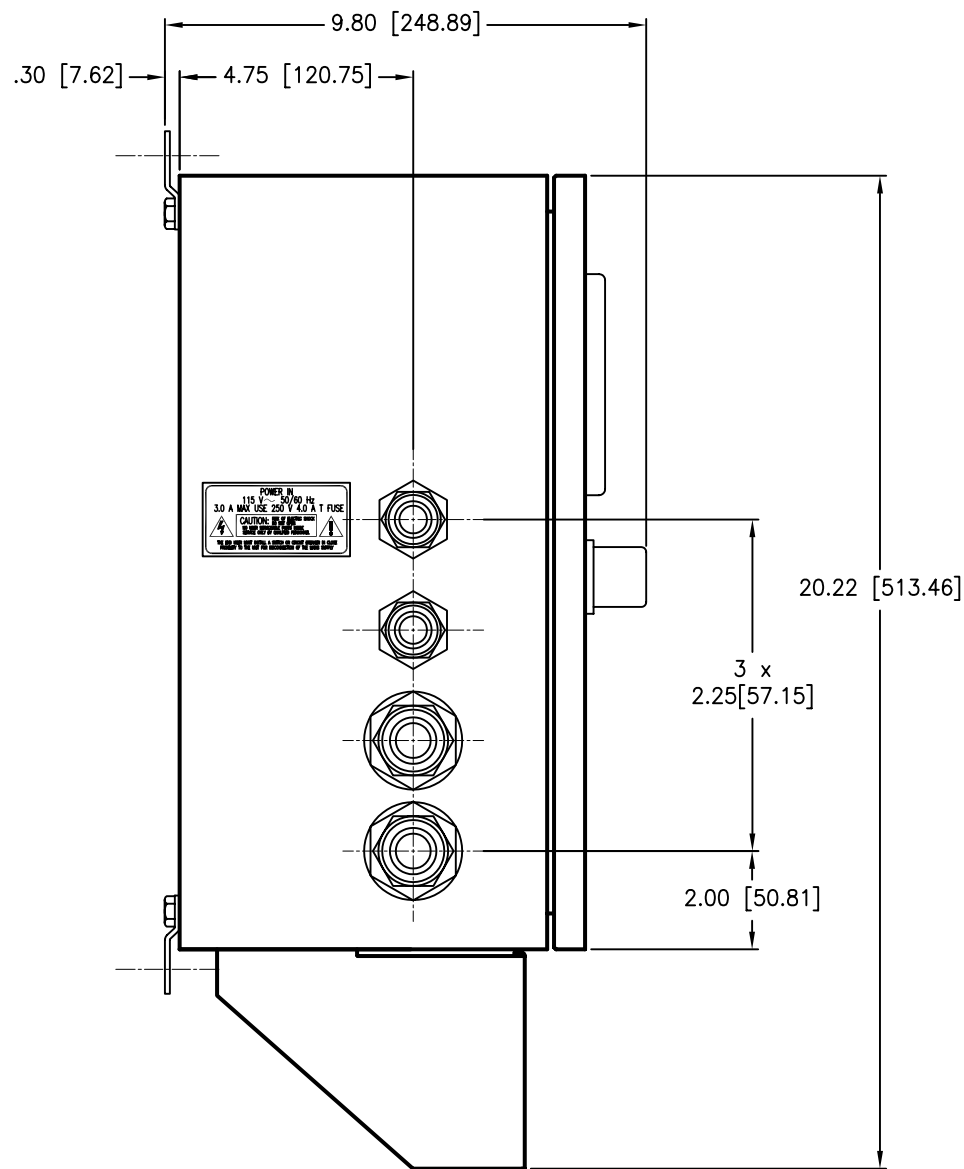


NOTES: UNLESS OTHERWISE SPECIFIED.

1. ALL DIMENSIONS ARE IN INCHES (±.06) AND MILLIMETERS (±1.) INCHES[mm]

REVISIONS				
REV	DESCRIPTION	DATE	APP.	REV BY
0	INITIAL RELEASE			---



- SAMPLE IN
1/4 TUBE FITTING
- SPAN IN
1/4 TUBE FITTING
- ZERO IN
1/4 TUBE FITTING
- EXHAUST
1/4 TUBE FITTING

ITEM	QTY	PART NO.	DESCRIPTION
BILL OF MATERIAL			
DO NOT SCALE DWG			
TOLERANCE UNLESS OTHERWISE SPECIFIED: ANGULAR ±1/2°			
LINEAR .XX = ±.1			
.XXX = ±.02			
.XXXX = ±.010			
THIS DRAWING IS THE PROPERTY OF TELEDYNE ANALYTICAL INSTRUMENTS AND CONTAINS CONFIDENTIAL INFORMATION. IT IS NOT TO BE COPIED, REPRODUCED OR USED WITHOUT WRITTEN PERMISSION.			Teledyne Analytical Instruments A business unit Teledyne Electronic Technologies CITY OF INDUSTRY, CALIFORNIA 91748
SIGNATURES		DATE	TITLE
N/	DRFT: JOHN REYES	05/02/02	SCALE 1:2
I/	D-70621	CHK:	SIM NONE
O/	APPR:		SHEET 1 OF 1
P/	B-70622	ENGR: ANGEL ALEGRIA	
F/	D-70709	C.O.	
REFERENCE	CAD ID D70620-0		
MATERIAL		DWG NO.	REV
NONE		D-70620	0