
OPERATING INSTRUCTIONS FOR MODEL 3000TA-XL-EU

Trace Oxygen Analyzer



P/N M69603
12/02/13



DANGER



Toxic gases and or flammable liquids may be present in this monitoring system.
Personal protective equipment may be required when servicing this instrument.
Hazardous voltages exist on certain components internally which may persist for a time even after the power is turned off and disconnected.
Only authorized personnel should conduct maintenance and/or servicing.
Before conducting any maintenance or servicing, consult with authorized supervisor/manager.

Copyright © 2013 Teledyne Analytical Instruments

All Rights Reserved. No part of this manual may be reproduced, transmitted, transcribed, stored in a retrieval system, or translated into any other language or computer language in whole or in part, in any form or by any means, whether it be electronic, mechanical, magnetic, optical, manual, or otherwise, without the prior written consent of Teledyne Analytical Instruments, 16830 Chestnut Street, City of Industry, CA 91748.

Warranty

This equipment is sold subject to the mutual agreement that it is warranted by us free from defects of material and of construction, and that our liability shall be limited to replacing or repairing at our factory (without charge, except for transportation), or at customer plant at our option, any material or construction in which defects become apparent within one year from the date of shipment, except in cases where quotations or acknowledgements provide for a shorter period. Components manufactured by others bear the warranty of their manufacturer. This warranty does not cover defects caused by wear, accident, misuse, neglect or repairs other than those performed by Teledyne or an authorized service center. We assume no liability for direct or indirect damages of any kind and the purchaser by the acceptance of the equipment will assume all liability for any damage which may result from its use or misuse.

We reserve the right to employ any suitable material in the manufacture of our apparatus, and to make any alterations in the dimensions, shape or weight of any parts, in so far as such alterations do not adversely affect our warranty.

Important Notice

This instrument provides measurement readings to its user, and serves as a tool by which valuable data can be gathered. The information provided by the instrument may assist the user in eliminating potential hazards caused by his process; however, it is essential that all personnel involved in the use of the instrument or its interface, with the process being measured, be properly trained in the process itself, as well as all instrumentation related to it.

The safety of personnel is ultimately the responsibility of those who control process conditions. While this instrument may be able to provide early warning of imminent danger, it has no control over process conditions, and it can be misused. In particular, any alarm or control systems installed must be tested and understood, both as to how they operate and as to how they can be defeated. Any safeguards required such as locks, labels, or redundancy, must be provided by the user or specifically requested of Teledyne at the time the order is placed.

Therefore, the purchaser must be aware of the hazardous process conditions. The purchaser is responsible for the training of personnel, for providing hazard warning methods and instrumentation per the appropriate standards, and for ensuring that hazard warning devices and instrumentation are maintained and operated properly.

Teledyne Analytical Instruments, the manufacturer of this instrument, cannot accept responsibility for conditions beyond its knowledge and control. No statement expressed or implied by this document or any information disseminated by the manufacturer or its agents, is to be construed as a warranty of adequate safety control under the user's process conditions.





Specific Model Information

The instrument for which this manual was supplied may incorporate one or more options not supplied in the standard instrument. Commonly available options are listed below, with check boxes. Any that are incorporated in the instrument for which this manual is supplied are indicated by a check mark in the box.

Instrument Serial Number: _____

Options Included in the Instrument with the Above Serial Number:

- 3000TA-XL -VS:** Instrument configured for Vacuum Service
- 3000TA-XL-CV:** Instrument with calibration valves
- 19" Rack Mnt:** The 19" Relay Rack Mount units are available with either one or two 3000TA-XL series analyzers installed in a standard 19" panel and ready to mount in a standard rack.
- 3000TA-XL-I** Web enabled version.

Sensor Options Available for the Instrument with the Above Serial Number:

- Insta-Trace B2CXL (Default)
- L2CXL

Important Notice

Model 3000TA-XL-EU complies with all of the requirements of the Commonwealth of Europe (CE) for Radio Frequency Interference, Electromagnetic Interference (RFI/EMI), and Low Voltage Directive (LVD).

The following International Symbols are used throughout the Instruction Manual. These symbols are visual indicators of important and immediate warnings and when you must exercise CAUTION while operating the instrument. See also the Safety Information on the next page.



STAND-BY: Instrument is on Stand-by, but circuit is active



GROUND: Protective Earth



CAUTION: The operator needs to refer to the manual for further information. Failure to do so may compromise the safe operation of the equipment.



CAUTION: Risk of Electrical Shock



Safety Messages

Your safety and the safety of others is very important. We have provided many important safety messages in this manual. Please read these messages carefully.

A safety message alerts you to potential hazards that could hurt you or others. Each safety message is associated with a safety alert symbol. These symbols are found in the manual and inside the instrument. The definition of these symbols is described below:



GENERAL WARNING/CAUTION: Refer to the instructions for details on the specific danger. These cautions warn of specific procedures which if not followed could cause bodily Injury and/or damage the instrument.



CAUTION: HOT SURFACE WARNING: This warning is specific to heated components within the instrument. Failure to heed the warning could result in serious burns to skin and underlying tissue.



WARNING: ELECTRICAL SHOCK HAZARD: Dangerous voltages appear within this instrument. This warning is specific to an electrical hazard existing at or nearby the component or procedure under discussion. Failure to heed this warning could result in injury and/or death from electrocution.



Technician Symbol: All operations marked with this symbol are to be performed by qualified maintenance personnel only.

No
Symbol

NOTE: Additional information and comments regarding a specific component or procedure are highlighted in the form of a note.



CAUTION: THE ANALYZER SHOULD ONLY BE USED FOR THE PURPOSE AND IN THE MANNER DESCRIBED IN THIS MANUAL.



IF YOU USE THE ANALYZER IN A MANNER OTHER THAN THAT FOR WHICH IT WAS INTENDED, UNPREDICTABLE BEHAVIOR COULD RESULT POSSIBLY ACCOMPANIED WITH HAZARDOUS CONSEQUENCES.

This manual provides information designed to guide you through the installation, calibration and operation of your new analyzer. Please read this manual and keep it available.

Occasionally, some instruments are customized for a particular application or features and/or options added per customer requests. Please check the front of this manual for any additional information in the form of an Addendum which discusses specific information, procedures, cautions and warnings that may be peculiar to your instrument.

Manuals do get lost. Additional manuals can be obtained from Teledyne at the address given in the Appendix. Some of our manuals are available in electronic form via the internet. Please visit our website at: www.teledyne-ai.com.



This is a general purpose instrument designed for use in a nonhazardous area. It is the customer's responsibility to ensure safety especially when combustible gases are being analyzed since the potential of gas leaks always exist.

The customer should ensure that the principles of operation of this equipment are well understood by the user. Misuse of this product in any manner, tampering with its components, or unauthorized substitution of any component may adversely affect the safety of this instrument.

Since the use of this instrument is beyond the control of Teledyne, no responsibility by Teledyne, its affiliates, and agents for damage or injury from misuse or neglect of this equipment is implied or assumed.

Table of Contents

Safety Messages	vi
Introduction	1
1.1 Overview	1
1.2 Typical Applications	1
1.3 Main Features of the Analyzer	1
1.4 Model Designations	2
1.5 Front Panel (Operator Interface)	3
1.6 Rear Panel (Equipment Interface)	5
Operational Theory	7
2.1 Introduction	7
2.2 Micro-Fuel Sensor	7
2.2.1 Principles of Operation	7
2.2.2 Anatomy of a Micro-Fuel Cell	8
2.2.3 Electrochemical Reactions	9
2.2.4 The Effect of Pressure	10
2.2.5 Calibration Characteristics	10
2.3 Sample System	12
2.4 Electronics and Signal Processing	15
Installation	19
3.1 Unpacking the Analyzer	19
3.2 Mounting the Analyzer	19
3.3 Rear Panel Connections	21
3.3.1 Gas Connections	21
3.3.2 Electrical Connections	22
3.3.2.1 Primary Input Power	23
3.3.2.2 50-Pin Equipment Interface Connector	23



3.3.2.2.1 Analog Outputs	23
3.3.2.2.2 Alarm Relays	24
3.3.2.2.3 Digital Remote Cal Inputs	26
3.3.2.2.4 Cal Contact	26
3.3.2.2.5 Remote Calibration Protocol	27
3.3.2.2.6 Range ID Relays	27
3.3.2.2.7 Network I/O	28
3.3.2.2.8 Remote Valve Connections	28
3.3.2.3 RS-232 Port	30
3.4 Installing the Micro-fuel Cell	31
3.4.1 B-2CXL Micro-fuel Cell	31
3.4.2 Insta-Trace Micro-fuel Cell	32
3.5 Testing the System	34
Operation	37
4.1 Introduction	37
4.2 Using the Data Entry and Function Buttons	38
4.3 The <i>System</i> Function	40
4.3.1 Tracking the Oxygen Readings During Calibration and Alarm Delay	41
4.3.2 Setting up an Auto-Cal	42
4.3.3 Password Protection	43
4.3.3.1 Entering the Password	43
4.3.3.2 Installing or Changing the Password	44
4.3.4 Logout	46
4.3.5 System Self-Diagnostic Test	47
4.3.6 Version Screen	48
4.4 Calibration of the Analyzer	48
4.4.1 Zero Cal	49
4.4.1.1 Auto Mode Zeroing	49
4.4.1.2 Manual Mode Zeroing	50
4.4.1.3 Cell Failure	51
4.4.2 Span Cal	51



Trace Oxygen Analyzer

4.4.2.1 Auto Mode Spanning	51
4.4.2.2 Manual Mode Spanning	52
4.4.3 Span Failure	53
4.5 Switching of Sample Streams	54
4.5.1 Special Notes on Hydrogen Gas Stream	55
4.6 The Alarms Function	55
4.7 The Range Function	57
4.7.1 Setting the Analog Output Ranges	58
4.7.2 Fixed Range Analysis	59
4.8 The <i>Analyze</i> Function	59
4.9 Signal Output	60
4.10 The IP Address Function	61
4.11 Cold Boot to Return to Default Settings	62
Web Implementation	63
5.1 The Embedded Browser	63
5.2 Remote Calibration	65
5.2.1 Remote Span	65
5.2.2 Remote Zero	67
5.3 Set the Alarms Remotely	68
5.4 Set the Ranges Remotely	69
5.5 System Menu	70
5.6 The Self-Test function	71
Maintenance.....	73
6.1 Routine Maintenance	73
6.2 Cell Replacement	73
6.2.1 Storing and Handling Replacement Cells	73
6.2.2 When to Replace a Cell	74
6.2.3 Removing the Micro-Fuel Cell	75
6.2.4 Installing a New Micro-Fuel Cell	75
6.2.5 Cell Warranty	77
6.3 Fuse Replacement	78
6.4 System Self Diagnostic Test	79



6.5 Major Internal Components	80
6.6 Cleaning	81
6.7 Troubleshooting	81
Appendix.....	83
A-1 Specifications	83
A-2 Recommended 2-Year Spare Parts List	85
A-3 Drawing List	86
A-4 19-inch Relay Rack Panel Mount	86
A.5 Application notes	87
Material Safety Data Sheet	89

List of Figures

Figure 1-1: Model 3000TA-XL-EU Front Panel	3
Figure 1-2: Model 3000TA-XL Rear Panel	6
Figure 2-1: Micro-Fuel Cell	8
Figure 2-2: Cross Section of a Micro-fuel Cell (not to scale)	9
Figure 2-3: Characteristic Input/Output Curve for a Micro-Fuel Cell	11
Figure 2-4: Piping Layout	13
Figure 2-5A: Flow Diagram—Sample Under Pressure-Standard	14
Figure 2-5B: Flow Diagram—Low Pressure-Model 3000TA-XL-VS14	
Figure 2-5C: Flow Diagram—Sample Under Pressure-Model 3000TA-XL-CV	14
Figure 2-6: Power supply and PCB Location	15
Figure 2-7: Block Diagram of the Model 3000TA-XL-EU Electronics	16
Figure 3-1: Front Panel of the Model 3000TA-XL-EU	20
Figure 3-2: Required Front Door Clearance	20
Figure 3-3: Rear Panel of the Model 3000TA-XL-EU	21
Figure 3-4: Equipment Interface Connector Pin Arrangement	23
Figure 3-5: Remote Probe Connections	29
Figure 3-6: FET Series Resistance	29
Figure 3-7: Installing the B-2CXL MFC (other cells similar)	32
Figure 3-8: Installing the Insta-Trace Micro-fuel Cell	34
Figure 4-1: Hierarchy of Available Functions	39
Figure 5-1: Analyzer Status Window—Running	64
Figure 5-2: Span Calibration Window	66
Figure 5-3: Zero Calibration Window	67
Figure 5-4: Set Alarms Window	68

Figure 5-5: Set Range Window	69
Figure 5-6: System Window	70
Figure 5-7: Self-Test Window	71
Figure 6-1: Removing the Micro-Fuel	76
Figure 6-2: Installing the Insta-Trace Cell	77
Figure 6-3: Removing Fuse Block from Housing	78
Figure 6-4: Installing Fuses	79
Figure 6-5: Rear Panel Removal	80
Figure A-1: Single and Dual 19" Rack Mounts	86

List of Tables

Table 3-1: Analog Output Connections	24
Table 3-2: Alarm Relay Contact Pins	25
Table 3-3: Remote Calibration Connections	26
Table 3-4: Range ID Relay Connections	28
Table 3-5: Commands via RS-232 Input	30
Table 3-6: Required RS-232 Options	30
Table 4-1: Output Signals	60
Table 4-2: Range ID Output Voltage	61
Table 6-1: Self Test Failure Codes	79



Introduction

1.1 Overview

The Teledyne Analytical Instruments Model 3000TA-XL-EU Trace Oxygen Analyzer is a versatile microprocessor-based instrument for detecting oxygen at the parts-per-million (ppm) level in a variety of gases. This manual covers the Model 3000TA-XL-EU General Purpose flush-panel and/or rack-mount units only. These units are for indoor use in a nonhazardous environment.

1.2 Typical Applications

A few typical applications of the Model 3000TA-XL-EU are:

- Monitoring inert gas blanketing
- Air separation and liquefaction
- Chemical reaction monitoring
- Semiconductor manufacturing
- Petrochemical process control
- Quality assurance
- Gas analysis certification.

1.3 Main Features of the Analyzer

The Model 3000TA-XL-EU Trace Oxygen Analyzer is sophisticated yet simple to use. The main features of the analyzer include:

- A 2-line alphanumeric vacuum fluorescent display (VFD) screen, driven by microprocessor electronics, that continuously prompts and informs the operator.
- High resolution, accurate readings of oxygen content from low ppm levels through 25%. Large, bright, meter readout.
- Stainless steel cell block.

- Advanced Micro-Fuel Cell, designed for trace analysis, has a 0-1 ppm low range with less than a 0.2 ppm offset and six months warranty and an expected lifetime of one year.
- Versatile analysis over a wide range of applications.
- Microprocessor based electronics: 8-bit CMOS microprocessor with 32 kB RAM and 128 kB ROM.
- Three user definable output ranges (from 0-1 ppm through 0-250,000 ppm) allow best match to users process and equipment.
- Air-calibration range for spanning at 20.9 % (209,000 ppm) available.
- Auto Ranging allows analyzer to automatically select the proper preset range for a given measurement. Manual override allows the user to lock onto a specific range of interest.
- Two adjustable concentration alarms and a system failure alarm.
- Extensive self-diagnostic testing, at startup and on demand, with continuous power-supply monitoring.
- Two way RFI protection.
- RS-232 serial digital port for use with a computer or other digital communication device.
- Four analog outputs: two for measurement (0–1 V dc and Isolated 4–20 mA dc) and two for range identification.
- Convenient and versatile, steel, flush-panel or rack-mountable case with slide-out electronics drawer.

1.4 Model Designations

- 3000TA-XL:** Standard model for sample under pressure
3000TA-XL-VS: Instrument configured for Vacuum Service
3000TA-XL-CV: Instrument with calibration valves
3000TA-XL-I: Web enabled version



1.5 Front Panel (Operator Interface)

The standard 3000TA-XL-EU is housed in a rugged metal case with all controls and displays accessible from the front panel. See Figure 1-1. The front panel has thirteen buttons for operating the analyzer, a digital meter, an alphanumeric display, and a window for viewing the sample flowmeter.

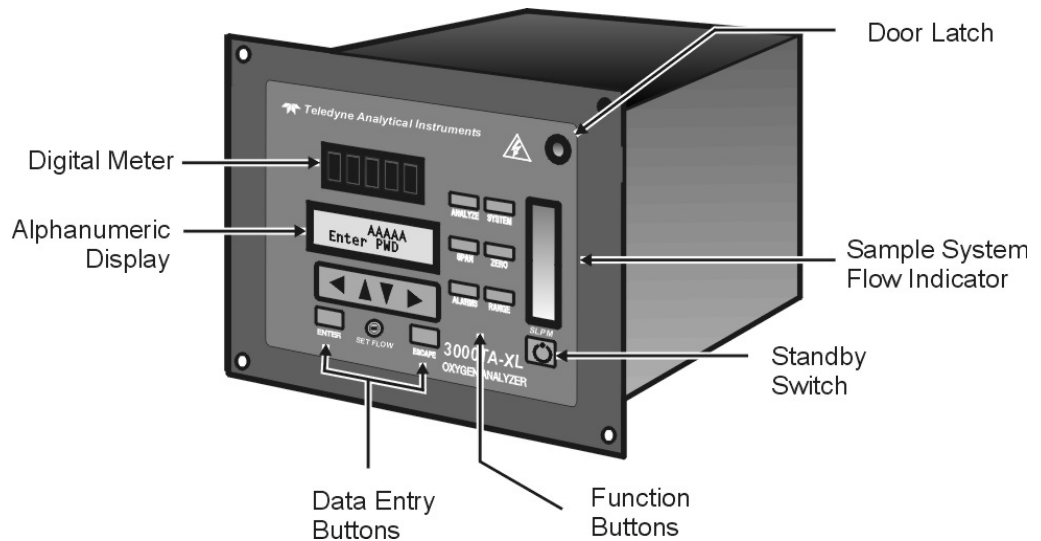


Figure 1-1: Model 3000TA-XL-EU Front Panel

Function Keys: Six touch-sensitive membrane switches are used to change the specific function performed by the analyzer:

- **Analyze** Perform analysis for oxygen content of a sample gas.
- **System** Perform system-related tasks (described in detail in Chapter 4, *Operation*).
- **Span** Span calibrate the analyzer.
- **Zero** Zero calibrate the analyzer.
- **Alarms** Set the alarm setpoints and attributes.
- **Range** Set up the 3 user definable ranges for the instrument.

Data Entry Keys: Six touch-sensitive membrane switches are used to input data to the instrument via the alphanumeric VFD display:


- **Left & Right Arrows** Select between functions currently displayed on the VFD screen.
- **Up & Down Arrows** Increment or decrement values of functions currently displayed.
- **Enter** Advances VFD display to the next screen in a series or returns to the *Analyze* screen if none remain.
- **Escape** Backs VFD display to the previous screen in a series or returns to the *Analyze* screen if none remain.


Digital Meter Display: The meter display is a Light Emitting Diode (LED) device that produces large, bright, 7-segment numbers that are legible in any lighting. It produces a continuous readout from 0-10,000 ppm and then switches to a continuous percent readout from 1-25%. It is accurate across all analysis ranges without the discontinuity inherent in analog range switching.

Alphanumeric Interface Screen: The VFD screen is an easy-to-use interface from operator to analyzer. It displays values, options, and messages that give the operator immediate feedback.

Needle Valve: Needle valve used to adjust flow of gas sample.

Flowmeter: Monitors the flow of gas past the sensor. Readout is 0.2 to 2.4 standard liters per minute (SLPM) of nitrogen.

Standby Button: The Standby button  turns off the display and outputs, but circuitry is still operating.

CAUTION:  **THE POWER CABLE MUST BE UNPLUGGED TO FULLY DISCONNECT POWER FROM THE INSTRUMENT. WHEN THE CHASSIS IS EXPOSED OR WHEN THE ACCESS DOOR IS OPEN WHILE THE POWER CABLE IS CONNECTED, USE EXTRA CARE TO AVOID CONTACT WITH LIVE ELECTRICAL CIRCUITS.**

Access Door: For access to the Micro-Fuel Cell, the front panel swings open when the latch in the upper right corner of the panel is pressed all the way in with a narrow gauge tool. Accessing the main circuit board

requires unfastening rear panel screws and sliding the unit out of the case.

1.6 Rear Panel (Equipment Interface)

The rear panel, shown in Figure 1-2, contains the gas and electrical connectors for external inlets and outlets. Some of those depicted are optional and may not appear on your instrument. The connectors are described briefly here and in detail in Chapter 3 Installation.

- **Power Connection** Universal AC power source.
- **Gas Inlet and Outlet** One inlet and one exhaust out.
- **Analog Outputs** 0–1 VDC oxygen concentration plus 0–1 VDC range ID, and isolated 4–20 mA DC oxygen concentration plus 4–20 mA DC range ID.
- **Alarm Connections** 2 concentration alarms and 1 system alarm.
- **RS-232 Port** Serial digital concentration signal output and control input.
- **Remote Probe** Used in the 3000TA-XL-EU for controlling external solenoid valves only.
- **Remote Span/Zero** Digital inputs allow external control of analyzer calibration.
- **Calibration Contact** To notify external equipment that instrument is being calibrated and readings are not monitoring sample.
- **Range ID Contacts** Four separate, dedicated, range relay contacts. Low, Medium, High, Cal.
- **Network I/O** Serial digital communications for local network access. For future expansion. Not implemented at this printing.

Note: If you require highly accurate Auto-Cal timing, use external Auto-Cal control where possible. The internal clock in the Model 3000TA-XL is accurate to 2-3 %. Accordingly, internally scheduled calibrations can vary 2-3 % per day.

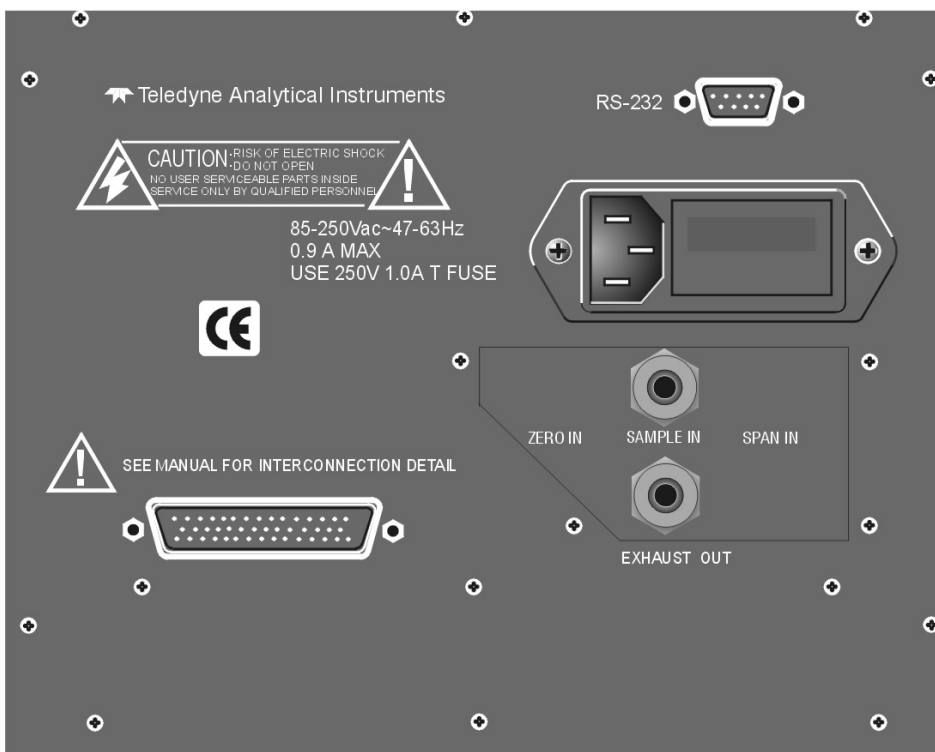


Figure 1-2: Model 3000TA-XL Rear Panel

Operational Theory

2.1 Introduction

The analyzer is composed of three subsystems:

1. Micro-fuel Cell Sensor
2. Sample System
3. Electronic Signal Processing, Display and Control

The sample system is designed to accept the sample gas and transport it through the analyzer without contaminating or altering the sample prior to analysis. The Micro-Fuel Cell is an electrochemical galvanic device that translates the amount of oxygen present in the sample into an electrical current. The electronic signal processing, display and control subsystem simplifies operation of the analyzer and accurately processes the sampled data. The microprocessor controls all signal processing, input/output and display functions for the analyzer.

2.2 Micro-Fuel Sensor

2.2.1 Principles of Operation

The oxygen sensor used in the Model 3000TA-XL series is a Micro-Fuel Cell, Model B-2CXL designed and manufactured by Analytical Instruments. It is a sealed plastic disposable electrochemical transducer.

The active components of the Micro-Fuel Cell are a cathode, an anode, and the aqueous KOH electrolyte in which they are immersed. The cell converts the energy from a chemical reaction into an electrical current in an external electrical circuit. Its action is similar to that of a battery.

There is, however, an important difference in the operation of a battery as compared to the Micro-Fuel Cell: In the battery, all reactants are stored within the cell, whereas in the Micro-Fuel Cell, one of the reactants (oxygen) comes from outside the device as a constituent of the sample gas being analyzed. The Micro-Fuel Cell is therefore a hybrid

between a battery and a true fuel cell. (All of the reactants are stored externally in a true fuel cell.)

2.2.2 Anatomy of a Micro-Fuel Cell

The Micro-Fuel Cell is a cylinder only $1\frac{1}{4}$ inches in diameter and $1\frac{1}{4}$ inches thick. It is made of an extremely inert plastic, which can be placed confidently in practically any environment or sample stream. It is effectively sealed, although one end is permeable to oxygen in the sample gas. The other end of the cell is a contact plate consisting of two concentric foil rings. The rings mate with spring-loaded contacts in the sensor block assembly and provide the electrical connection to the rest of the analyzer. Figure 2-1 illustrates the external features.

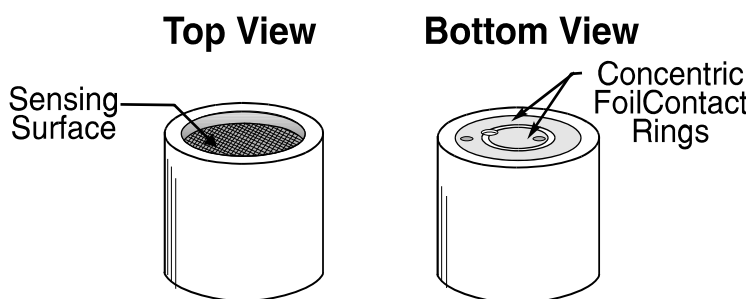


Figure 2-1: Micro-Fuel Cell

Refer to Figure 2-2, *Cross Section of a Micro-Fuel Cell*, which illustrates the following internal description.

At the top end of the cell is a diffusion membrane of Teflon, whose thickness is very accurately controlled. Beneath the diffusion membrane lies the oxygen sensing element—the cathode—with a surface area approximately 4 cm^2 . The cathode has many perforations to ensure sufficient wetting of the upper surface with electrolyte, and it is plated with an inert metal.

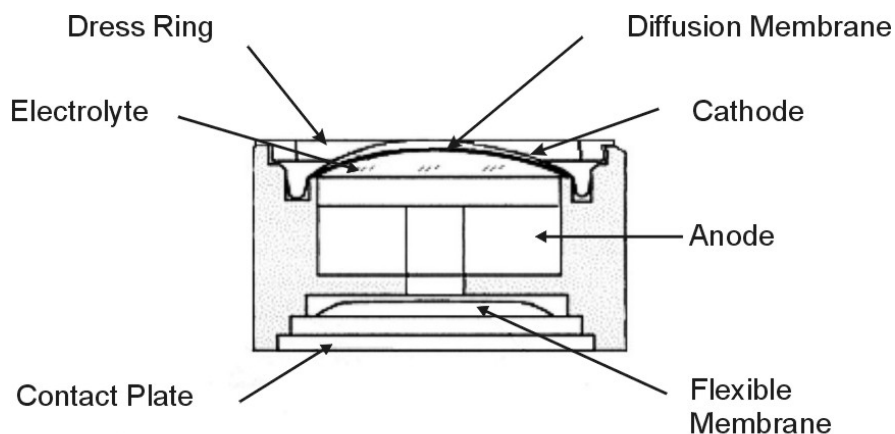


Figure 2-2: Cross Section of a Micro-fuel Cell (not to scale)

The anode structure is below the cathode. It is made of lead and has a proprietary design which is meant to maximize the amount of metal available for chemical reaction.

At the rear of the cell, just below the anode structure, is a flexible membrane designed to accommodate the internal volume changes that occur throughout the life of the cell. This flexibility assures that the sensing membrane remains in its proper position, keeping the electrical output constant.

The entire space between the diffusion membrane, above the cathode, and the flexible rear membrane, beneath the anode, is filled with electrolyte. Cathode and anode are submerged in this common pool. They each have a conductor connecting them to one of the external contact rings on the contact plate, which is on the bottom of the cell.

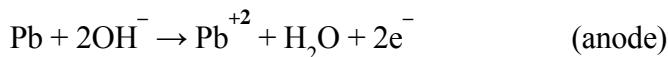
2.2.3 Electrochemical Reactions

The sample gas diffuses through the Teflon membrane. Any oxygen in the sample gas is reduced on the surface of the cathode by the following HALF REACTION:



(Four electrons combine with one oxygen molecule—in the presence of water from the electrolyte—to produce four hydroxyl ions.)

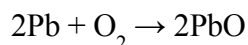
When the oxygen is reduced at the cathode, lead is simultaneously oxidized at the anode by the following HALF REACTION:



(Two electrons are transferred for each atom of lead that is oxidized. Therefore it takes two of the above anode reactions to balance one cathode reaction and transfer four electrons.)

The electrons released at the surface of the anode flow to the cathode surface when an external electrical path is provided. The current is proportional to the amount of oxygen reaching the cathode. It is measured and used to determine the oxygen concentration in the gas mixture.

The overall reaction for the fuel cell is the SUM of the half reactions above, or:



(These reactions are specific to oxygen as long as no gaseous components capable of oxidizing lead—such as iodine, bromine, chlorine and fluorine—are present in the sample.)

In the absence of oxygen, no current is generated.

2.2.4 The Effect of Pressure

In order to state the amount of oxygen present in the sample in parts-per-million or a percentage of the gas mixture, it is necessary that the sample diffuse into the cell under constant pressure.

If the total pressure increases, the rate that oxygen reaches the cathode through the diffusing membrane will also increase. The electron transfer, and therefore the external current, will increase, even though the oxygen concentration of the sample has not changed. It is therefore important that the sample pressure at the fuel cell (usually vent pressure) remain relatively constant between calibrations.

2.2.5 Calibration Characteristics

Given that the total pressure of the sample gas on the surface of the Micro-fuel Cell input is constant, a convenient characteristic of the cell is that the current produced in an external circuit is directly proportional to the rate at which oxygen molecules reach the cathode, and this rate is

directly proportional to the concentration of oxygen in the gaseous mixture. In other words it has a linear characteristic curve, as shown in Figure 2-3. Measuring circuits do not have to compensate for nonlinearities.

In addition, since there is zero output in the absence of oxygen, the characteristic curve has close to an absolute zero (less than ± 0.2 ppm oxygen). This means there is usually no need to zero calibrate the instrument. Depending upon the application, zeroing may still be used to compensate for the combined zero offsets of the cell and the electronics.

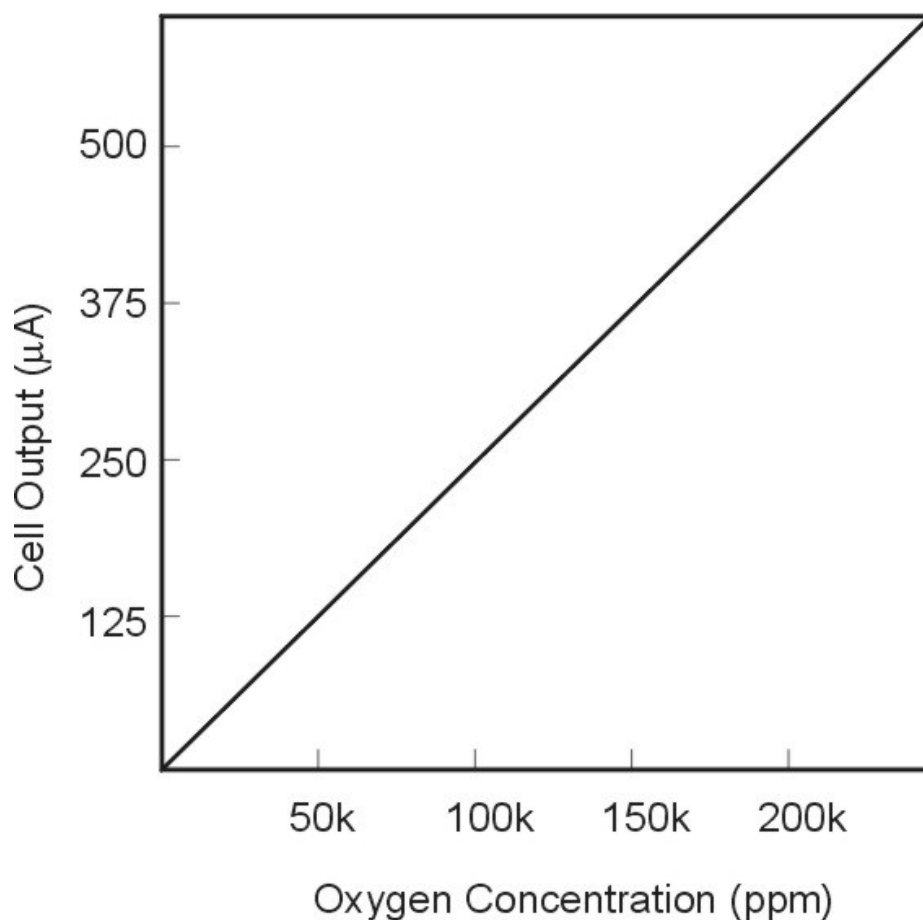


Figure 2-3: Characteristic Input/Output Curve for a Micro-Fuel Cell

If, however, a low range accuracy better than 100 ppb is required, then a zero calibration is recommended. See Section 4.4.1.

2.3 Sample System

The sample system delivers gases to the Micro-fuel Cell sensor from the analyzer rear panel inlet. Depending on the mode of operation either sample or calibration gas is delivered.

The Model 3000TA-XL-EU sample system is designed and fabricated to ensure that the oxygen concentration of the gas is not altered as it travels through the sample system.

The sample system for the standard instrument incorporates VCR tube fittings for sample inlet and 1/4" outlet tube connections at the rear panel. The sample or calibration gas that flows through the system is monitored by a flowmeter downstream from the cell. Figure 2-4 shows the piping layout for the standard model.

Figure 2-5 shows the flow diagram for sampling systems used for the three configurations offered as options for this instrument. In the standard instrument, calibration gases can be connected directly to the Sample In port by teeing to the port with appropriate valves.



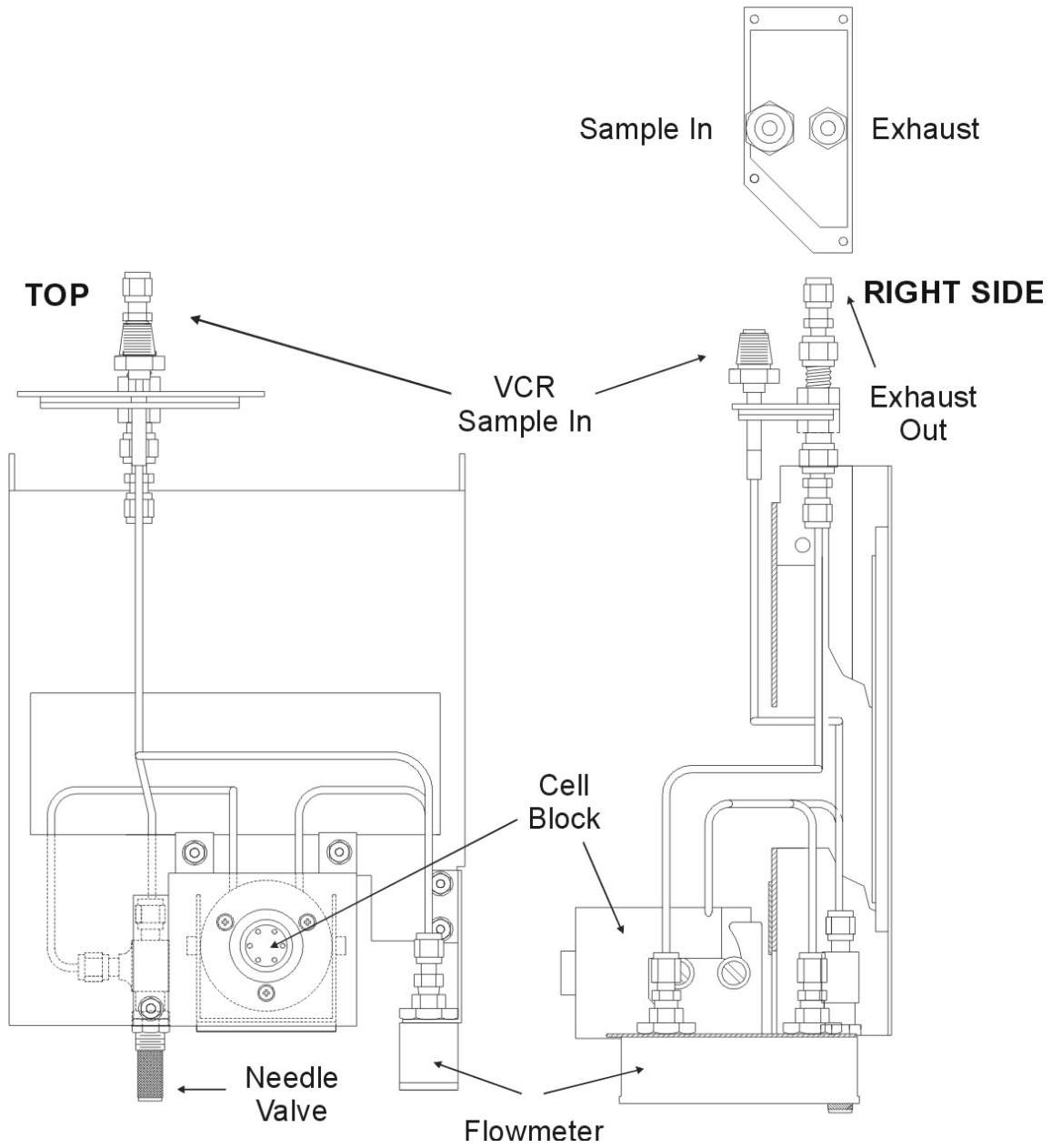


Figure 2-4: Piping Layout

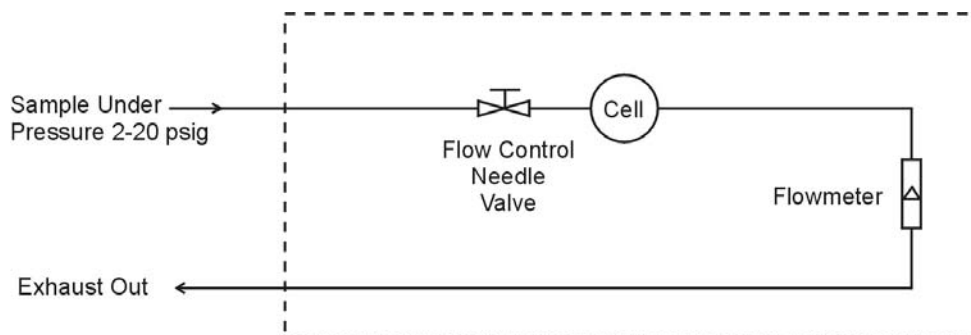


Figure 2-5A: Flow Diagram—Sample Under Pressure-Standard

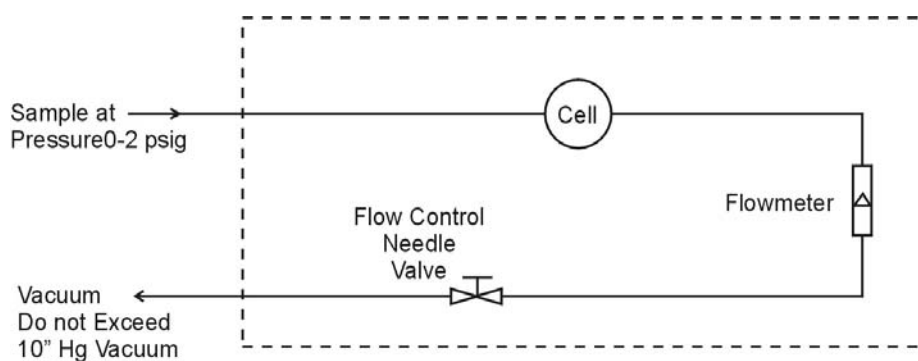


Figure 2-5B: Flow Diagram—Low Pressure-Model 3000TA-XL-VS

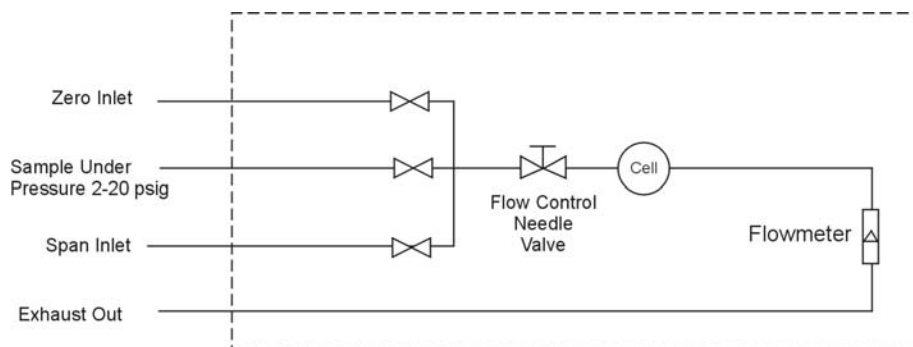


Figure 2-5C: Flow Diagram—Sample Under Pressure-Model 3000TA-XL-CV

2.4 Electronics and Signal Processing

The Model 3000TA-XL-EU Trace Oxygen Analyzer uses an 8031 microcontroller with 32 kB of RAM and 128 kB of ROM to control all signal processing, input/output, and display functions for the analyzer. System power is supplied from a universal power supply module designed to be compatible with any international power source. Figure 2-6 shows the location of the power supply and the main electronic PC boards.

The signal processing electronics including the microprocessor, analog to digital, and digital to analog converters are located on the motherboard at the bottom of the case. The preamplifier board is mounted on top of the motherboard as shown in the figure. These boards are accessible after removing the back panel. Figure 2-7 is a block diagram of the analyzer electronics.

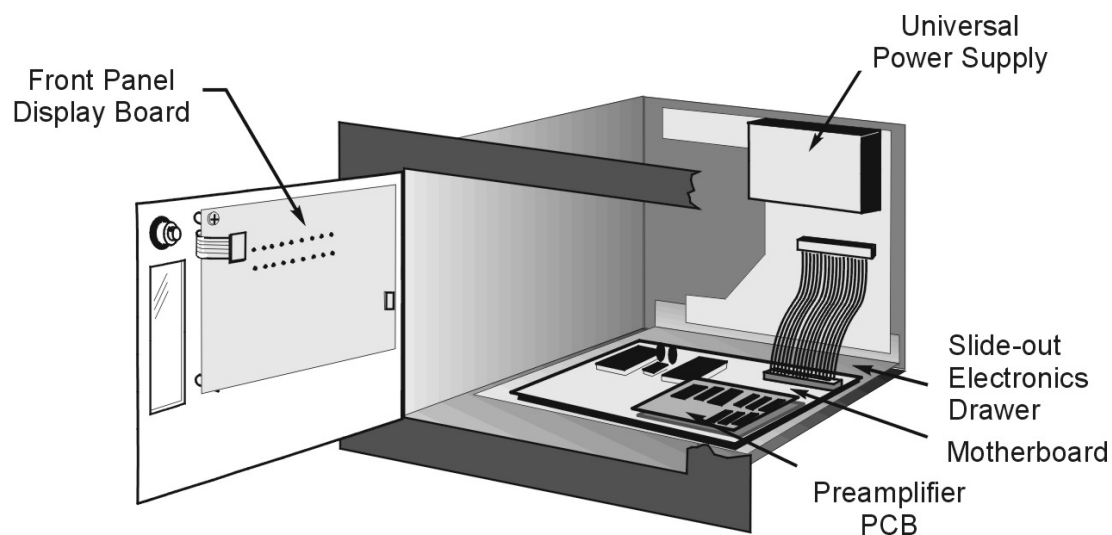


Figure 2-6: Power supply and PCB Location

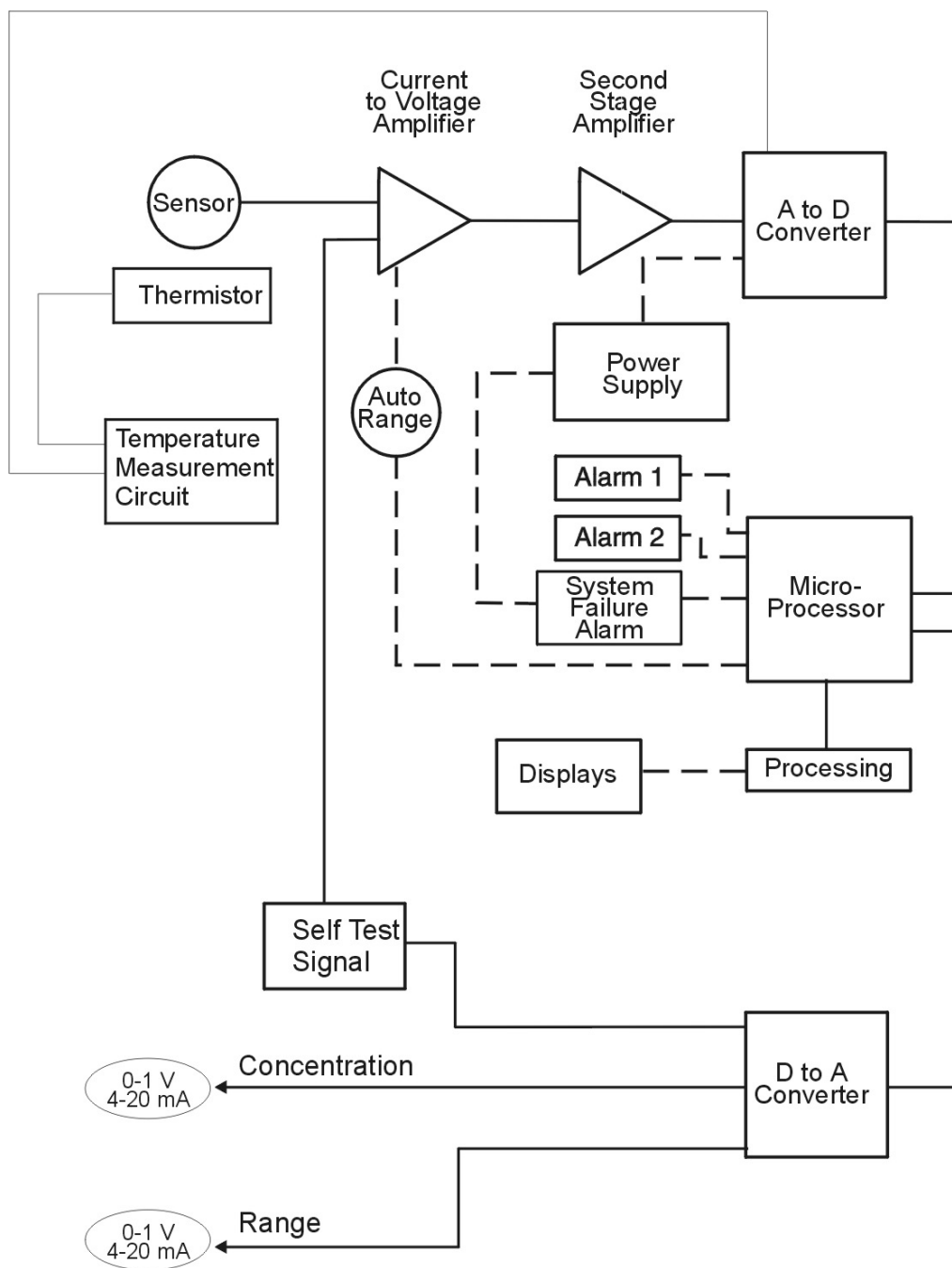


Figure 2-7: Block Diagram of the Model 3000TA-XL-EU Electronics

In the presence of oxygen the cell generates a current. A current to voltage amplifier converts this current to a voltage, which is amplified in the second stage amplifier.

The second stage amplifier also supplies temperature compensation for the oxygen sensor output. This amplifier circuit incorporates a thermistor, which is physically located in the cell block. The thermistor is a temperature dependent resistor that changes the gain of the amplifier in proportion to the temperature changes in the block. This change is inversely proportional to the change in the cell output. The result is a signal that is temperature independent within a specified tolerance. The output from the second stage amplifier is sent to an 18 bit analog to digital converter controlled by the microprocessor.

The digital concentration signal along with input from the control panel is processed by the microprocessor, and appropriate control signals are directed to the display, alarms and communications port. The same digital information is also sent to a 12 bit digital to analog converter that produces the 4-20 mA DC and the 0-1 V DC analog concentration signal outputs, and the analog range ID outputs.

Signals from the power supply are also monitored, and through the microprocessor, the system failure alarm is activated if a malfunction is detected.

Installation

Installation of the Model 3000TA-XL-EU Analyzer includes:

1. Unpacking
2. Mounting
3. Gas connections
4. Electrical connections
5. Installing the Micro-Fuel Cell
6. Testing the system.

3.1 Unpacking the Analyzer

The analyzer is shipped with all the materials you need to install and prepare the system for operation. Carefully unpack the analyzer and inspect it for damage. Immediately report any damage to the shipping agent.

3.2 Mounting the Analyzer

The Model 3000TA-XL-EU is for indoor use in a general purpose area. It is NOT for hazardous environments of any type.

The standard model is designed for flush panel mounting. Figure 3-1 is an illustration of the 3000TA-XL-EU standard front panel and mounting bezel. There are four mounting holes—one in each corner of the rigid frame. The drawings at the back of this manual includes a panel cutout diagram.

On special order, a 19" rack-mounting panel can be provided. For rack mounting, one or two 3000XL series analyzers can be flush-panel mounted on the rack panel. See Appendix for dimensions of the mounting panel.

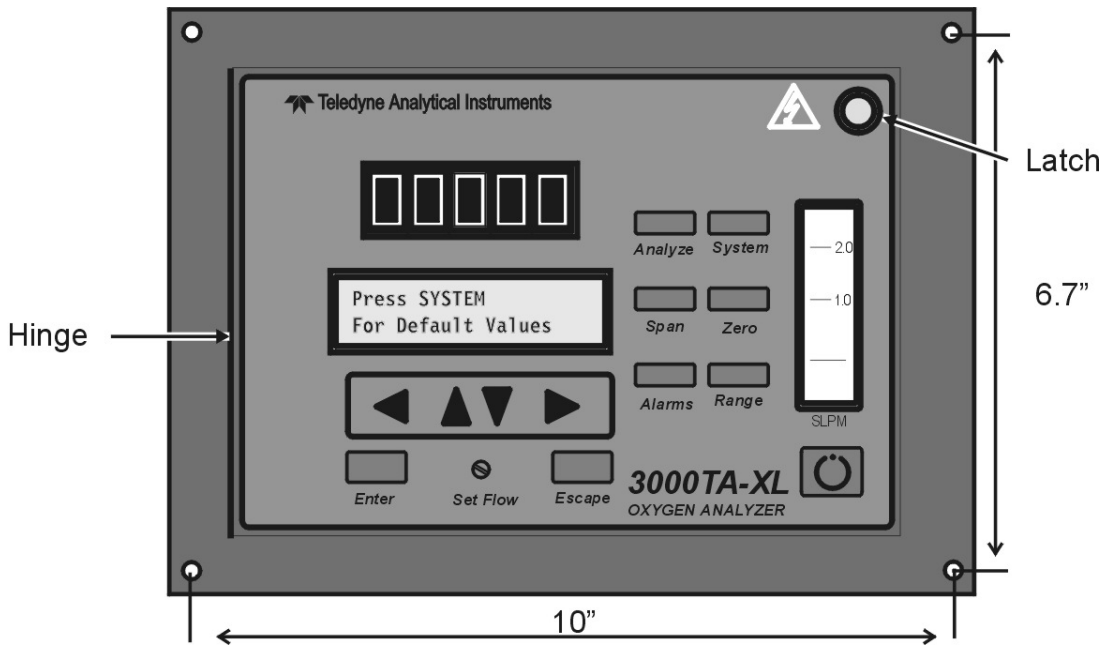


Figure 3-1: Front Panel of the Model 3000TA-XL-EU

All operator controls, except the flow control needle valve, are mounted on the control panel, which is hinged on the left edge and doubles as the door that provides access to the sensor and cell block inside the instrument. The door latch is spring loaded and will swing open when the button in the center of the latch (upper right corner) is pressed all the way in with a narrow gauge tool (less than 0.18 inch wide). Allow clearance for the door to open in a 90-degree arc of radius 7.125 inches. See Figure 3-2.

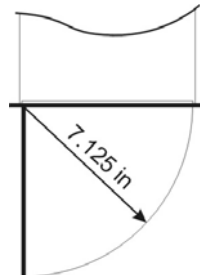


Figure 3-2: Required Front Door Clearance

3.3 Rear Panel Connections

Figure 3-3 shows the Model 3000TA-XL-EU rear panel. There are ports for gas inlet and outlet, power, communication, and both digital and analog concentration output via the 50-pin Equipment Interface Connector.

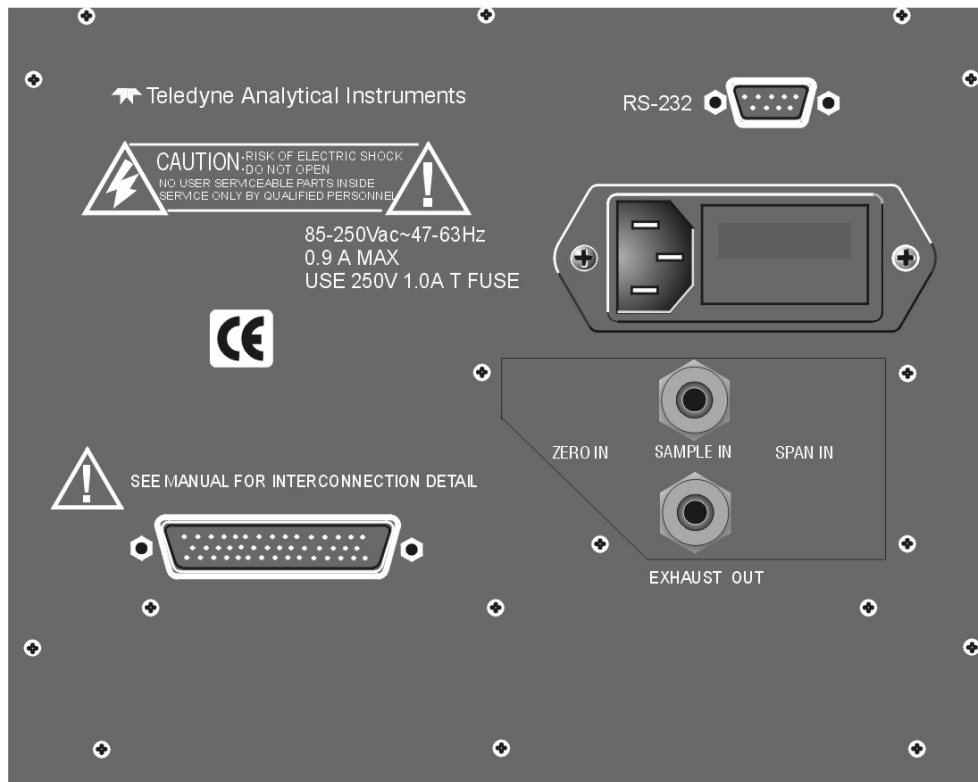


Figure 3-3: Rear Panel of the Model 3000TA-XL-EU

3.3.1 Gas Connections

Note: Do not remove plastic caps on VCR fittings, unless you are ready to make connections.

The unit is manufactured with 1/4 inch tube fittings, and 6 mm adapters are supplied for metric system installations.

SAMPLE IN:

In the standard model, gas connections are made at the SAMPLE IN and EXHAUST OUT connections. Calibration gases must be tee'd into the sample inlet with appropriate valves. A VCR fitting is provided for the inlet connection.

The inlet gas pressure should be reasonably regulated. Pressures between 2 and 50 psig are acceptable as long as the pressure, once established, will keep the front panel flowmeter reading in an acceptable range (0.5 to 2.0 SLPM). For non-pressurized sample or very low pressure, (less than 2 psig) vacuum service plumbing is recommended. (See Vacuum Service below).

If greater sample flow is required for improved response time, install a bypass in the sampling system upstream of the analyzer input.

VACUUM SERVICE:

If the sample pressure is at atmospheric or very low pressure, the instrument must be ordered with the vacuum service option. This will ensure that the flow control valve is located on the exhaust side of the Micro-Fuel Cell.

EXHAUST OUT:

Exhaust connections must be consistent with the hazard level of the constituent gases. Check Local, State, and Federal laws, and ensure that the exhaust stream vents to an appropriately controlled area, if required.

3.3.2 Electrical Connections

For safe connections, no uninsulated wiring should be able to come in contact with fingers, tools or clothing during normal operation.

CAUTION:

USE SHIELDED CABLES. ALSO, USE PLUGS THAT PROVIDE EXCELLENT EMI/RFI PROTECTION. THE PLUG CASE MUST BE CONNECTED TO THE CABLE SHIELD, AND IT MUST BE TIGHTLY FASTENED TO THE ANALYZER WITH ITS FASTENING SCREWS. ULTIMATELY, IT IS THE INSTALLER WHO ENSURES THAT THE CONNECTIONS PROVIDE ADEQUATE EMI/RFI SHIELDING.



3.3.2.1 PRIMARY INPUT POWER

The power cord receptacle and fuse block are located in the same assembly. Insert the power cord into the power cord receptacle.

CAUTION: **POWER IS APPLIED TO THE INSTRUMENT'S CIRCUITRY AS LONG AS THE INSTRUMENT IS CONNECTED TO THE POWER SOURCE. THE RED SWITCH ON THE FRONT PANEL IS FOR SWITCHING POWER ON OR OFF TO THE DISPLAYS AND OUTPUTS ONLY.**



The universal power supply requires an 85–250 VAC, 47–63 Hz power source.

Fuse Installation: The fuse block, at the right of the power cord receptacle, accepts US or European size fuses. A jumper replaces the fuse in whichever fuse receptacle is not used. Fuses are not installed at the factory. Be sure to install the proper fuse as part of installation. (See *Fuse Replacement* in Chapter 6, *Maintenance*.)

3.3.2.2 50-PIN EQUIPMENT INTERFACE CONNECTOR

Figure 3-4 shows the pin layout of the Equipment Interface Connector. The arrangement is shown as seen when the viewer faces the rear panel of the analyzer. The pin numbers for each input/output function are given where each function is described in the paragraphs below.

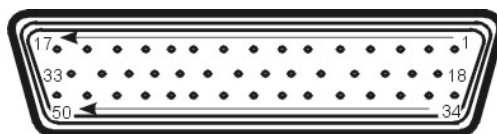


Figure 3-4: Equipment Interface Connector Pin Arrangement

3.3.2.2.1 Analog Outputs

There are four DC output signal pins—two pins per output. For polarity, see Table 3-1. The outputs are:

- 0–1 V DC % of Range: Voltage rises linearly with increasing oxygen, from 0 V at 0 ppm to 1 V at full scale ppm. (Full scale = 100% of programmable range.)
- 0–1 VDC Range ID: 0.25 V = Low Range
0.5 V = Medium Range
0.75 V = High Range
1 V = Air Cal Range.
- 4–20 mA DC % Range: Current increases linearly with increasing oxygen, from 4 mA at 0 ppm to 20 mA at full scale ppm. (Full scale = 100% of programmable range)
- 4–20 mA DC Range ID: 8 mA = Low Range
12 mA = Medium Range
16 mA = High Range
20 mA = Air Cal Range.

Table 3-1: Analog Output Connections

Pin	Function
3	+ Range ID, 4-20 mA, floating
4	– Range ID, 4-20 mA, floating
5	+ % Range, 4-20 mA, floating
6	– % Range, 4-20 mA, floating
8	+ Range ID, 0-1 VDC
23	– Range ID, 0-1 VDC, negative ground
24	+ % Range, 0-1 VDC
7	– % Range, 0-1 VDC, negative ground

3.3.2.2.2 Alarm Relays

The nine alarm-circuit connector pins connect to the internal alarm relay contacts. Each set of three pins provides one set of Form C relay contacts. Each relay has both normally open and normally closed contact connections. The contact connections are shown in Table 3-2. They are capable of switching up to 3 amperes at 250 V ac into a resistive load. The connectors are:





- **Threshold Alarm 1:**
 - Can be configured as high (actuates when concentration is above threshold), or low (actuates when concentration is below threshold).
 - Can be configured as failsafe or non-failsafe.
 - Can be configured as latching or non-latching.
 - Can be configured out (defeated).
- **Threshold Alarm 2:**
 - Can be configured as high (actuates when concentration is above threshold), or low (actuates when concentration is below threshold).
 - Can be configured as failsafe or non-failsafe.
 - Can be configured as latching or non-latching.
 - Can be configured out (defeated).
- **System Alarm:**
 - Actuates when DC power supplied to circuits is unacceptable in one or more parameters. Permanently configured as failsafe and latching. Cannot be defeated. Actuates if self test fails.
 - Reset by pressing  button to remove power. Then press  again and any other button EXCEPT *System* to resume.
 - Further detail can be found in Chapter 4, Section 4-6.

Table 3-2: Alarm Relay Contact Pins

Pin	Contact
45	Threshold Alarm 1, normally closed contact
28	Threshold Alarm 1, moving contact
46	Threshold Alarm 1, normally open contact
42	Threshold Alarm 2, normally closed contact
44	Threshold Alarm 2, moving contact



43	Threshold Alarm 2, normally open contact
36	System Alarm, normally closed contact
20	System Alarm, moving contact
37	System Alarm, normally open contact

3.3.2.2.3 Digital Remote Cal Inputs

These inputs accept 0 V (off) or 24 VDC (on) inputs for remote control of calibration. (See *Remote Calibration Protocol* below.) See Table 3-3 for pin connections.

Zero: Floating input. 5 to 24 V input across the + and – pins puts the analyzer into the *Zero* mode. Either side may be grounded at the source of the signal. 0 to 1 volt across the terminals allows *Zero* mode to terminate when done. A synchronous signal must open and close the external zero valve appropriately. See *Remote Probe Connector*. (The –C option internal valves operate automatically.)

Span: Floating input. 5 to 24 V input across the + and – pins puts the analyzer into the *Span* mode. Either side may be grounded at the source of the signal. 0 to 1 volt across the terminals allows *Span* mode to terminate when done. A synchronous signal must open and close external span valve appropriately. See Figure 3-5 Remote Probe Connector. (The –C option internal valves operate automatically.)

3.3.2.2.4 Cal Contact

This relay contact is closed while analyzer is spanning and/or zeroing. (See *Remote Calibration Protocol* below.)

Table 3-3: Remote Calibration Connections

Pin	Function
9	+ Remote Zero
11	– Remote Zero
10	+ Remote Span
12	– Remote Span



40	Cal Contact
41	Cal Contact

3.3.2.2.5 Remote Calibration Protocol

To properly time the Digital Remote Cal Inputs to the Model 3000TA-XL-EU Analyzer, the customer's controller must monitor the Cal Relay Contact.

When the contact is OPEN, the analyzer is analyzing, the Remote Cal Inputs are being polled, and a zero or span command can be sent.

When the contact is CLOSED, the analyzer is already calibrating. It will ignore your request to calibrate, and it will not remember that request.

Once a zero or span command is sent, and acknowledged (contact closes), release it. If the command is continued until after the zero or span is complete, the calibration will repeat and the Cal Relay Contact (CRC) will close again.

For example:

1. Test the CRC. When the CRC is open, Send a zero command until the CRC closes (The CRC will quickly close.)
2. When the CRC closes, remove the zero command.
3. When CRC opens again, send a span command until the CRC closes. (The CRC will quickly close.)
4. When the CRC closes, remove the span command.

When CRC opens again, zero and span are done, and the sample is being analyzed.

Note: The Remote Valve connections (described below) provides signals to ensure that the zero and span gas valves will be controlled synchronously. If you have the –C Internal valve option—which includes additional zero and span gas inputs—the 3000TA-XL-EU automatically regulates the zero, span and sample gas flow.

3.3.2.2.6 Range ID Relays

Four dedicated Range ID relay contacts. The first three ranges are assigned to relays in ascending order—Low range is assigned to Range



1 ID, Medium range is assigned to Range 2 ID, and High range is assigned to Range 3 ID. The fourth range is reserved for the Air Cal Range (25%). Table 3-4 lists the pin connections.

Table 3-4: Range ID Relay Connections

Pin	Function
21	Range 1 ID Contact
38	Range 1 ID Contact
22	Range 2 ID Contact
39	Range 2 ID Contact
19	Range 3 ID Contact
18	Range 3 ID Contact
34	Range 4 ID Contact (Air Cal)
35	Range 4 ID Contact (Air Cal)

3.3.2.2.7 Network I/O

A serial digital input/output for local network protocol. At this printing, this port is not yet functional. It is to be used for future options to the instrument. Pins 13 (+) and 29 (-).

3.3.2.2.8 Remote Valve Connections

The 3000TA-XL-EU is a single-chassis instrument, which has no Remote Valve Unit. Instead, the Remote Valve connections are used as a method for directly controlling external sample/zero/span gas valves. See Figure 3-5.



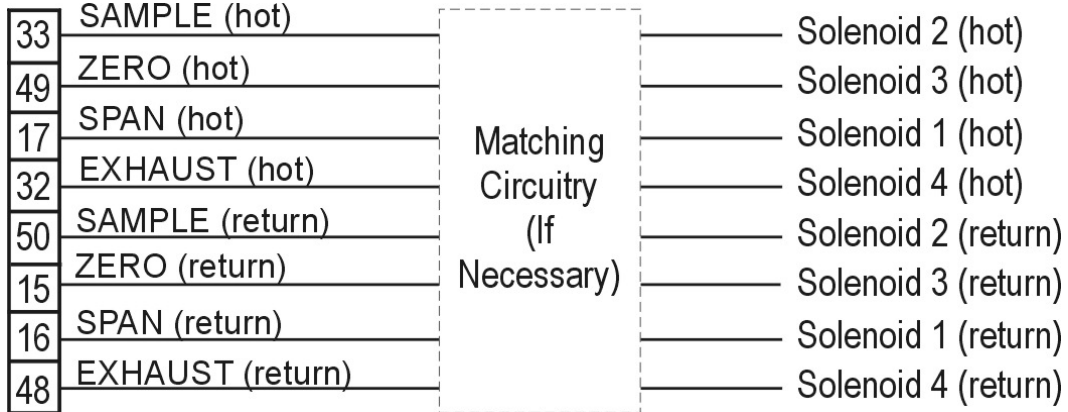


Figure 3-5: Remote Probe Connections

The voltage from these outputs is nominally 0 V for the OFF and 15 VDC for the ON conditions. The maximum combined current that can be pulled from these output lines is 100 mA. (If two lines are ON at the same time, each must be limited to 50 mA, etc.) If more current and/or a different voltage is required, use a relay, power amplifier, or other matching circuitry to provide the actual driving current.

In addition, each individual line has a series FET with a nominal ON resistance of 5 ohms (9 ohms worst case). This can limit the obtainable voltage, depending on the load impedance applied. See Figure 3-6.

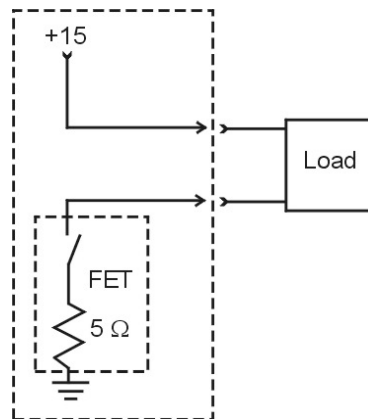


Figure 3-6: FET Series Resistance

3.3.2.3 RS-232 PORT

The digital signal output is a standard, full duplex RS-232 serial communications port used to connect the analyzer to a computer, terminal, or other digital device. It requires a standard 9-pin D connector.

The output data is status information, in digital form, updated every two seconds. Status is reported in the following order:

- The concentration in ppm or percent
- The range in use (HI, MED, LO)
- The span of the range (0-100 ppm, etc)
- Which alarms—if any—are disabled (AL-x DISABLED)
- Which alarms—if any—are tripped (AL-x ON).

Each status output is followed by a carriage return and line feed.

Three input functions using RS-232 have been implemented to date. They are described in Table 3-5.

Table 3-5: Commands via RS-232 Input

Command	Description
as <enter>	Immediately starts an autospan.
az <enter>	Immediately starts an autozero.
st <enter>	Toggling input. Stops/Starts any status message output from the RS-232, until st <enter> is sent again.

The RS-232 protocol allows some flexibility in its implementation. Table 3-6 lists certain RS-232 values that are required by the 3000TA-XL-EU implementation.

Table 3-6: Required RS-232 Options

Parameter	Setting
Baud	2400

Byte	8 bits
Parity	none
Stop Bits	1
Message Interval	2 seconds. When CRC opens again, zero and span are done, and the sample is being analyzed.

3.4 Installing the Micro-fuel Cell

The Model 3000TA-XL-EU can be equipped with either the standard B-2CXL Micro-fuel Cell or as an option, Teledyne's Insta-Trace cell. An existing instrument can also be retrofitted to use the Insta-Trace cell using Teledyne retrofit kit P/N C-71792-A. This kit contains a cell holder and an Insta-Trace cell.

3.4.1 B-2CXL Micro-fuel Cell

The B-2CXL Micro-fuel Cell is not installed in the cell block when the instrument is shipped. It must be installed before the analyzer is placed in service.

The Micro-Fuel cell is located inside the stainless steel cell block behind the front panel (see Figure 3-7).

To install the cell:

1. Remove power to the instrument by unplugging the power cord at the power source.
2. Open the front panel door by pressing the release button on the top right corner of the door all the way in with a narrow gauge tool.
3. With one hand placed underneath the cell block ready to catch the micro-fuel cell, lift up on the stainless steel gate in front of the cell block. This releases the cell and cell holder from the block. The cell and holder will fall out in your hand.

CAUTION: THE CELL IS SHIPPED SEPARATELY INSIDE TWO BAGS FILLED WITH OXYGEN-FREE INERT GAS. EXTREME CARE MUST BE TAKEN TO ENSURE THAT THE CELL IS EXPOSED TO AIR FOR A VERY



MINIMUM AMOUNT OF TIME, INCLUDING DURING INSTALLATION.

Use care to minimize the exposure of the sensor to air. A 3-5 minute exposure to air may require 24 hours or longer cell recovery period before the cell recovers to less than 0.5 ppm on an oxygen free sample gas. On the other hand, if the air exposure is limited to less than 10 seconds, the recovery time will be reduced to two hours, or less.

If exposure to air or other high oxygen concentration atmospheres is anticipated, retrofit your instrument to use the Insta-Trace Micro-fuel Cell.

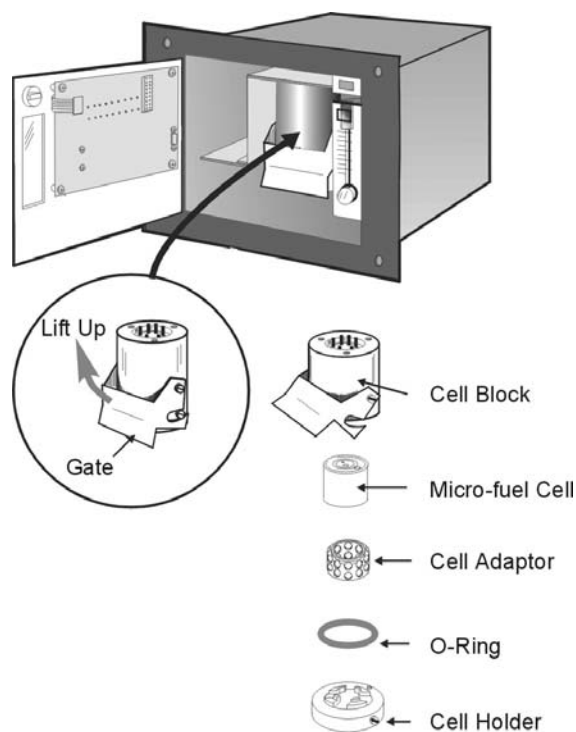


Figure 3-7: Installing the B-2CXL MFC (other cells similar)

3.4.2 Insta-Trace Micro-fuel Cell

The Insta-Trace Micro-fuel Cell eliminates the long recovery period associated with exposure of the cell to air. This cell is capable of measuring below 1 ppm of oxygen within 15 minutes of installation. By reducing the recovery time from several hours to just minutes, users will no longer have to divert unanalyzed product or switch analyzers.

The following procedure can be used to install the Insta-Trace Micro-fuel Cell:

Note: Even though the Insta-Trace Micro-fuel Cell has a short recovery time after ambient air exposure, minimizing this exposure still reduces the recovery time necessary.

CAUTION: DO NOT TOUCH THE SENSING SURFACE OF THE CELL. IT IS COVERED WITH A DELICATE TEFLON MEMBRANE THAT CAN LEAK WHEN PUNCTURED.



Before installing a new cell, check the O-ring in the base of the cell holder. Replace if worn or damaged. See Figure 3-8.

Place the cell on the holder with the screen side facing down.

Note: There is a small location hole drilled in the holder. This hole mates with a guide pin on the bottom rear of the cell block. The hole in the cell block holder must align with the guide pin on the cell block.

1. Remove power from the instrument.
2. Remove the old sensor (if installed). Discard in accordance with all Federal, State, Local or other regulations which may apply.
3. Purge the analyzer at approximately 1 SCFH flow rate with nitrogen (or applicable sample gas with the sensor holder removed).
4. Remove the new sensor from its double bag storage.
5. Remove the sensor shorting button.
6. Place the sensor inside the cell block.
7. Hold the sensor up into the block while positioning the cap under the sensor. Vigorously push the cell holder with the sensor into the cell block, thus puncturing the protective film/seal cover.
8. Push the gate on the cell block down so that the slots on the side of the gate engage the locating screws on the side of the block. This forces the holder into position and forms a gas-tight seal.

9. Purge the system using sample or zero gas.

10. Power the system back up.

The Insta-Trace sensor will typically reach a stable low value within 30 minutes or less after installation.

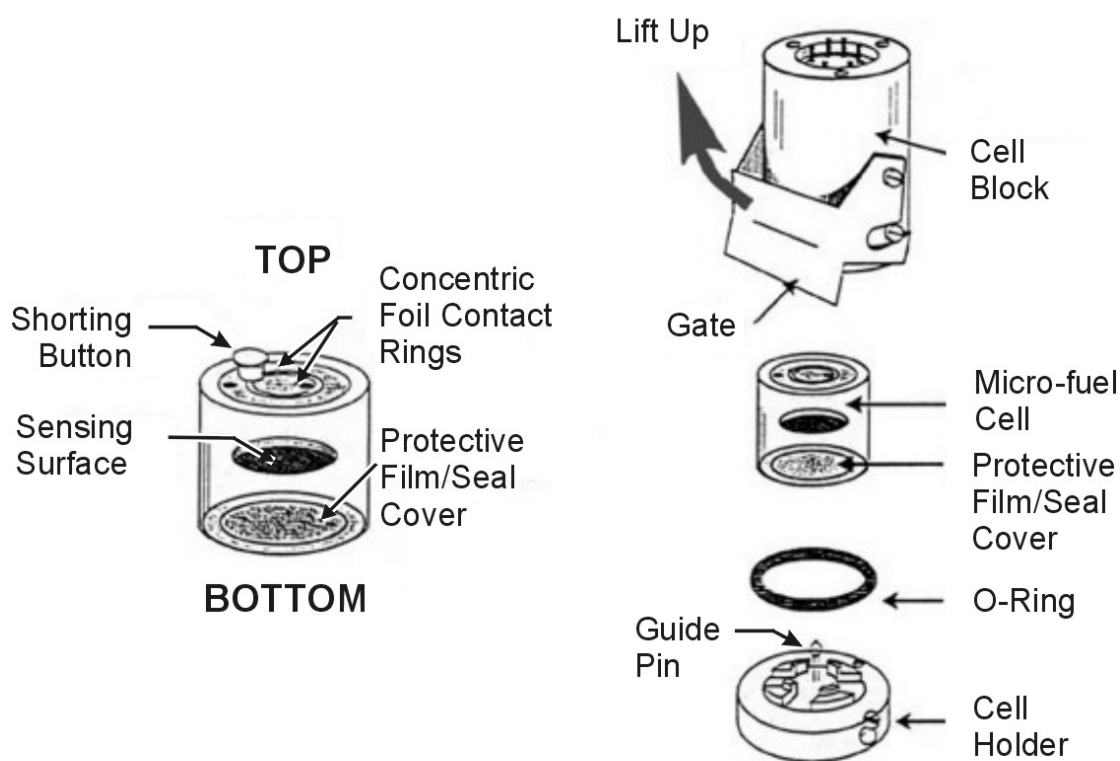


Figure 3-8: Installing the Insta-Trace Micro-fuel Cell

3.5 Testing the System

Before plugging the instrument into the power source:

- Check the integrity and accuracy of the gas connections. Make sure there are no leaks.
- Check the integrity and accuracy of the electrical connections. Make sure there are no exposed conductors.

- Check that inlet sample pressure is within the accepted range (see Section 3.3.1).
- Power up the system, and test it by repeating the Self-Diagnostic Test as described in Chapter 4, Section 4.3.5.

Operation

4.1 Introduction

Once the analyzer has been installed, it can be configured for your application. To do this you will:

- Set system parameters.
 - Establish a security password, if desired, requiring Operator to log in.
 - Establish and start an automatic calibration cycle, if desired.
- Calibrate the instrument.
- Define the three user selectable analysis ranges, then choose autoranging or select a fixed range of analysis, as required.
- Set alarm setpoints, and modes of alarm operation (latching, failsafe, etc).

Before you configure your 3000TA-XL-EU, these default values are in effect:

- Ranges:** LO = 1 ppm, MED = 10 ppm, HI = 100 ppm.
- Auto Ranging:** ON
- Alarm Relays:** Defeated, 10.00 ppm, HI, Not failsafe, Not latching.
- Zero:** Auto, every 0 days at 0 hours.
- Span:** Auto, at 000,008.00 ppm, every 0 days at 0 hours.

If you choose not to use password protection, the default password is automatically displayed on the password screen when you start up, and you simply press *Enter* for access to all functions of the analyzer.

4.2 Using the Data Entry and Function Buttons

Data Entry Buttons: The ◀▶ arrow buttons select options from the menu currently being displayed on the VFD screen. The selected option blinks.

When the selected option includes a modifiable item, the ▲▼ arrow buttons can be used to increment or decrement that modifiable item.

The *Enter* button is used to accept any new entries on the VFD screen. The *Escape* button is used to abort any new entries on the VFD screen that are not yet accepted by use of the *Enter* button.

Figure 4-1 shows the hierarchy of functions available to the operator via the function buttons. The six function buttons on the analyzer are:

- *Analyze*. This is the normal operating mode. The analyzer monitors the oxygen content of the sample, displays the percent of oxygen, and warns of any alarm conditions.
- *System*. The system function consists of six sub functions that regulate the internal operations of the analyzer:
 - Auto-Cal setup
 - Password assignment
 - Self -Test initiation
 - Checking software version
 - Logging out.
 - Show Negative
- *Zero*. Used to set up a zero calibration.
- *Span*. Used to set up a span calibration.
- *Alarms*. Used to set the alarm setpoints and determine whether each alarm will be active or defeated, HI or LO acting, latching, and/or failsafe.
- *Range*. Used to set up three analysis ranges that can be switched automatically with auto-ranging or used as individual fixed ranges.



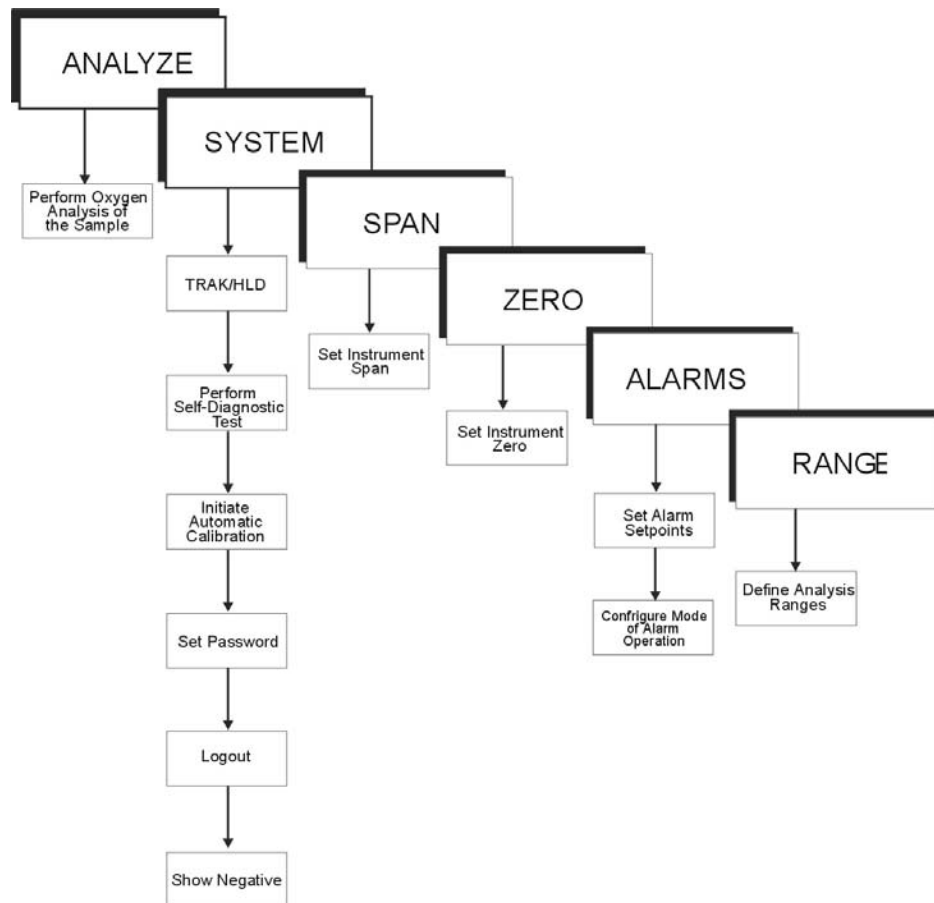


Figure 4-1: Hierarchy of Available Functions

Any function can be selected at any time by pressing the appropriate button (unless password restrictions apply). The order as presented in this manual is appropriate for an initial setup.

Each of these functions is described in greater detail in the following procedures. The VFD screen text that accompanies each operation is reproduced, at the appropriate point in the procedure, in a **Arial Narrow Bold** type style. Pushbutton names are printed in *Oblique* type.

4.3 The *System* Function

The sub functions of the *System* function are described below. Specific procedures for their use follow the descriptions:

- **Auto-Cal:** Used to define an automatic calibration sequence and/or start an Auto-Cal.
- **PSWD:** Security can be established by choosing a 5 digit password (PSWD) from the standard ASCII character set. (See *Installing or Changing the Password*, below, for a table of ASCII characters available.) Once a unique password is assigned and activated, the operator **MUST** enter the **UNIQUE** password to gain access to set-up functions which alter the instrument's operation, such as setting the instrument span or zero setting, adjusting the alarm setpoints, or defining analysis ranges.
 - After a password is assigned, the operator must log out to activate it. Until then, anyone can continue to operate the instrument without entering the new password.
 - Only one password can be defined. Before a unique password is assigned, the system assigns TETAI by default. This allows access to anyone. After a unique password is assigned, to defeat the security, the password must be changed back to TETAI.
- **Logout:** Logging out prevents unauthorized tampering with analyzer settings.
- **More:** Select and enter More to get a new screen with additional sub functions listed.
- **Self-Test:** The instrument performs a self-diagnostic test to check the integrity of the power supply, output boards and amplifiers.
- **Version:** Displays Manufacturer, Model, and Software Version of the instrument.
- **Show Negative:** The operator selects whether the display can show negative oxygen readings or not.
- **TRAK/HLD:** The operator sets whether the instrument analog outputs track the concentration change during calibration and sets a time delay for the concentration alarms after calibration.



4.3.1 Tracking the Oxygen Readings During Calibration and Alarm Delay

The user has the option of setting the preferences as to whether the analog outputs track the display readings during calibration or not. To set the preference, press the *System* key once and the first System menu will appear in the VFD display:

TRAK/HLD Auto-Cal

PSWD Logout More

TRAK/HLD should be blinking. To enter this system menu press the *Enter* key once:

Output Sttng: TRACK

Alarm Dly: 10 min

—or—

Output Sttng: HOLD

Alarm Dly: 10 min

In the first line, TRACK or HOLD should be blinking. The operator can toggle between TRACK and HOLD with the *Up* or *Down* keys. When TRACK is selected, the analog outputs (0-1 VDC and 4-20 ma) and the range ID contacts will track the instrument readings during calibration (either zero or span). TRACK is the factory default.

When HOLD is selected, the analog outputs (0-1 VDC and 4-20 ma) and the range ID contacts will freeze on their last state before entering one of the calibration modes. When the instrument returns to the Analyze mode, either by a successful or an aborted calibration, there will be a three-minute delay before the analog outputs and the range ID contacts start tracking again.

The concentration alarms freeze on their last state before entering calibration regardless of selecting HOLD or TRACK. But when HOLD is selected, the concentration alarms will remain frozen for the time displayed in the second line of the TRAK/HLD menu after the analyzer returns to the Analyze mode.

The factory default is three minutes, but the delay time is programmable. To adjust to delay time use the *Left* or *Right* arrow keys. When the time displayed on the second line blinks, it can be adjusted by Pressing the *Up* or *Down* keys to increase or decrease its value. The minimum delay is 1 minute, the maximum is 30.

This preference is stored in non-volatile memory so that it is recovered if power is removed from the instrument.

4.3.2 Setting up an Auto-Cal

When proper automatic valving is connected (see Chapter 3, *Installation*), the analyzer can cycle itself through a sequence of steps that automatically calibrates the instrument.

Note: If you require highly accurate Auto-Cal timing, use external Auto-Cal control where possible. The internal clock in the Model 3000TA-XL-EU is accurate to 2-3 %. Accordingly, internally scheduled calibrations can vary 2-3 % per day.

To setup an Auto-Cal cycle:

CAUTION: **TAI DOES NOT RECOMMEND FREQUENT ZERO ADJUSTMENTS OF THE CELL. A NEWLY INSTALLED CELL MAY TAKE 7-10 DAYS OF OPERATION TO REACH A STEADY ZERO (TYPICALLY LESS THAN 0.2 PPM). IF REQUIRED, THE INSTRUMENT MAY BE ZEROED AFTER THIS INITIAL STABILIZING PERIOD AND MAY BE CHECKED AGAIN AFTER A ADDITIONAL 7-10 DAYS. FREQUENCY OF ZERO ADJUSTMENT IS AT THE DISCRETION OF THE USER (ONCE A MONTH IS SUGGESTED).**



Choose *System* from the Function buttons. The LCD will display five sub functions.

TRAK/HLD Auto-Cal
PSWD Logout More

Use ◀▶ arrows to blink Auto-Cal, and press *Enter*. A new screen for Span/Zero set appears.

Span OFF Nxt: 0d 0h
Zero OFF Nxt: 0d 0h

Press ◀▶ arrows to blink **Span** (or **Zero**), then press *Enter* again. (You won't be able to set OFF to ON if a zero interval is entered.) A **Span Every ...** (or **Zero Every ...**) screen appears.

Span Every 0 d
Start 0 h from now

Use ▲▼ arrows to set an interval value, then use ◀▶ arrows to move to the start-time value. Use ▲▼ arrows to set a start-time value.

To turn ON the Span and/or Zero cycles (to activate Auto-Cal): Press *System* again, choose **Auto—Cal**, and press *Enter* again. When the Span/Zero values screen appears, use the ◀▶ arrows to blink the Span (or Zero) OFF/ON field. Use ▲▼ arrows to set the OFF/ON field to ON. You can now turn these fields ON because there is a nonzero span interval defined.

4.3.3 Password Protection

If a password is assigned, then setting the following system parameters can be done only after the password is entered: span and zero settings, alarm setpoints, analysis range definitions, switching between autoranging and manual override, setting up an auto-cal, and assigning a new password. However, the instrument can still be used for analysis or for initiating a self-test without entering the password.

If you have decided not to employ password security, use the default password TETAI. This password will be displayed automatically by the microprocessor. The operator just presses the *Enter* key to be allowed total access to the instrument's features.

Note: If you use password security, it is advisable to keep a copy of the password in a separate, safe location.

4.3.3.1 ENTERING THE PASSWORD

To install a new password or change a previously installed password, you must key in and *Enter* the old password first. If the default password is in effect, pressing the *Enter* button will enter the default TETAI password for you.

Press *System* to enter the System mode.

TRAK/HLD Auto—Cal
PSWD Logout More

Use the ◀▶ arrow keys to scroll the blinking over to PSWD, and press *Enter* to select the password function. Either the default TETAI password or AAAAA place holders for an existing password will appear on screen depending on whether or not a password has been previously installed.

T E T A I
Enter PWD

—or—

A A A A A
Enter PWD

The screen prompts you to enter the current password. If you are not using password protection, press *Enter* to accept TETAI as the default password. If a password has been previously installed, enter the password using the ◀▶ arrow keys to scroll back and forth between letters, and the ▲▼ arrow keys to change the letters to the proper password. Press *Enter* to enter the password.

If the password is accepted, the screen will indicate that the password restrictions have been removed and you have clearance to proceed.

PSWD Restrictions
Removed

In a few seconds, you will be given the opportunity to change this password or keep it and go on.

Change Password?
<ENT>=Yes <ESC>=No

Press *Escape* to move on, or proceed as in *Changing the Password*, below.

4.3.3.2 INSTALLING OR CHANGING THE PASSWORD

If you want to install a password, or change an existing password, proceed as above in *Entering the Password*. When you are given the opportunity to change the password:

Change Password?
<ENT>=Yes <ESC>=No

Press *Enter* to change the password (either the default TETAI or the previously assigned password), or press *Escape* to keep the existing password and move on.

If you chose *Enter* to change the password, the password assignment screen appears.

T E T A I
<ENT> To Proceed

—or—

A A A A A
<ENT> To Proceed

Enter the password using the ◀▶ arrow keys to move back and forth between the existing password letters, and the ▲▼ arrow keys to change the letters to the new password. The full set of 94 characters available for password use are shown in the list below.

Characters Available for Password Definition:

A	B	C	D	E	F	G	H	I	J
K	L	M	N	O	P	Q	R	S	T
U	V	W	X	Y	Z	[¥]	^
_	`	a	b	c	d	e	f	g	h
i	j	k	l	m	n	o	p	q	r
s	t	u	v	w	x	y	z	{	
}	®	!	"	#	\$	%	&	'	(
)	*	+	'	-	.	/	0	1	2
3	4	5	6	7	8	9	:	;	<
=	>	?	@						

When you have finished typing the new password, press *Enter*. A verification screen appears. The screen will prompt you to retype your password for verification.

A A A A A
Retype PWD To Verify

Wait a moment for the entry screen. You will be given clearance to proceed.

```
A A A A A
<ENT> TO Proceed
```

Use the arrow keys to retype your password and press *Enter* when finished. Your password will be stored in the microprocessor and the system will immediately switch to the *Analyze* screen, and you now have access to all instrument functions.

If all alarms are defeated, the *Analyze* screen appears as:

```
0.0 ppm Anlz
Range: 0 — 100
```

If an alarm is tripped, the second line will change to show which alarm it is:

```
0.0 ppm Anlz
AL—1
```

Note: If you log off the system using the logout function in the system menu, you will now be required to re-enter the password to gain access to Span, Zero, Alarm, and Range functions.

4.3.4 Logout

The Logout function provides a convenient means of leaving the analyzer in a password protected mode without having to shut the instrument off. By entering **Logout**, you effectively log off the instrument leaving the system protected against use until the password is reentered. To log out, press the *System* button to enter the System function.

```
TRAK/HLD Auto—Cal
PSWD Logout More
```

Use the ◀▶ arrow keys to position the blinking over the Logout function, and press *Enter* to Log out. The screen will display the message:

```
Protected Until
Password Reentered
```



4.3.5 System Self-Diagnostic Test

The Model 3000TA-XL-EU has a built-in self-diagnostic testing routine. Pre-programmed signals are sent through the power supply, output board and sensor circuit. The return signal is analyzed, and at the end of the test the status of each function is displayed on the screen, either as OK or as a number between 1 and 3. (See *System Self Diagnostic Test* in Chapter 6 for number code).

The self diagnostics are run automatically by the analyzer whenever the instrument is turned on, but the test can also be run by the operator at any time. In addition, web enabled instruments can initiate a self diagnostic test remotely from a computer. See Section 5.6.

To initiate a self diagnostic test during operation:

Press the **System** button to start the System function.

```
TRAK/HLD Auto—Cal  
PSWD Logout More
```

Use the ◀▶ arrow keys to blink **More**, then press **Enter**.

```
Version Self—Test
```

Use the ◀▶ arrow keys again to move the blinking to the **Self-Test** function. The screen will follow the running of the diagnostic.

```
RUNNING DIAGNOSTIC  
Testing Preamp — 83
```

During preamp testing there is a countdown in the lower right corner of the screen. When the testing is complete, the results are displayed.

```
Power: OK Analog: OK  
Preamp: 3
```

The module is functioning properly if it is followed by OK. A number indicates a problem in a specific area of the instrument. Refer to Section 6.7 *Troubleshooting* for number-code information. The results screen alternates for a time with:

```
Press Any Key  
To Continue...
```

Then the analyzer returns to the initial System screen.

4.3.6 Version Screen

Move the ◀▶ arrow key to More and press *Enter*. With Version blinking, press *Enter*. The screen displays the manufacturer, model, and software version information.

4.4 Calibration of the Analyzer

The analyzer must be calibrated prior to its use. The following sections describe how to calibrate the analyzer. If equipped with remote calibration valves, the analyzer can be calibrated from a remote terminal using the RS-232 port. See Section 3.3.2.3. In addition, web enabled instruments can set calibration parameters including autocal programs as well as initiate calibration events remotely from a computer if equipped with remote calibration valves. See Section 5.2 for more details.

For most applications where the desired range of measurement is 0 to 1 ppm, we recommend the analyzer be calibrated using a span gas as detailed below. For most applications, a zero calibration is unnecessary.

Span Gas Calibration

Before the cell is ready for calibration, it must be purged with sample gas to low oxygen levels preferably below 0.2 ppm. However, if the oxygen content of the sample gas is higher than 0.2 ppm, a zero gas such as nitrogen with oxygen levels below 0.2 ppm may be required.

The recommended span gas concentration is between 7.0 to 9.0 ppm oxygen in nitrogen, and will require calibration be performed in the 0-10 ppm analyzer range.

Air Calibration

If desired, a newly installed cell may be calibrated in air to 209,000 ppm. However, this practice is generally not recommended as the cell may take 24 hours or longer to recover to less than 0.2 ppm after being exposed to air for about 3 to 5 minutes.

Note: The recovery time is significantly less, typically 30 minutes or less, when the Insta-Trace sensor is used. Refer to Section 3.4 for information on retrofitting your system to use an Insta-Trace sensor.

4.4.1 Zero Cal

The B-2CXL cell has a zero offset of less than 0.2 ppm oxygen. Normally, the offset slowly decreases during the first 7 to 10 days of operation, and is expected to reach a steady value after this time.

Generally, the value of the zero offset is part of the oxygen reading of the sample gas as shown by the analyzer readout. As an example, a reading of 0.5 ppm oxygen may include 0.4 ppm oxygen in the sample gas and a 0.1 ppm zero offset.

The determination of the zero offset requires the use of oxygen free gas to the analyzer. We recommend the use of nitrogen gas with a scrubber to assure oxygen levels below 0.02 ppm.

The user may decide to eliminate the zero offset for improved accuracy. If the low range accuracy needs to be better than 100 ppb, a zero calibration should be performed. Thus, the analyzer is equipped with a zero calibration function. However, we do not recommend carrying out the cal zero during the first 10 days of the operation of the cell.

As long as the unit has not been contaminated by a liquid, the default zero of this instrument will be stable (± 100 ppb or less) in excess of 10 years.

The *Zero* button on the front panel is used to enter the zero calibration function. Zero calibration can be performed in either the automatic or manual mode. In the automatic mode, an internal algorithm compares consecutive readings from the sensor to determine when the output is within the acceptable range for zero. In the manual mode, the operator determines when the reading is within the acceptable range for zero. Make sure the zero gas is connected to the instrument. If you get a CELL FAILURE message skip to Section 4.4.1.3.

4.4.1.1 AUTO MODE ZEROING

Press *Zero* to enter the zero function mode. The screen allows you to select whether the zero calibration is to be performed automatically or manually. Use the **▲ ▼** arrow keys to toggle between **AUTO** and **MAN** zero settling. Stop when **AUTO** appears, blinking, on the display.

Zero: Settling: AUTO
<ENT> To Begin

Press *Enter* to begin zeroing.

```
#### PPM Zero  
Slope=#### ppm/s
```

The beginning zero level is shown in the upper left corner of the display. As the zero reading settles, the screen displays and updates information on Slope (unless the Slope starts within the acceptable zero range and does not need to settle further).

Then, and whenever Slope is less than 0.08 for at least 3 minutes, instead of Slope you will see a countdown: 5 Left, 4 Left, and so fourth. These are five steps in the zeroing process that the system must complete, AFTER settling, before it can go back to *Analyze*.

```
#### PPM Zero  
4 Left=### ppm/s
```

The zeroing process will automatically conclude when the output is within the acceptable range for a good zero. Then the analyzer automatically returns to the *Analyze* mode.

4.4.1.2 MANUAL MODE ZEROING

Press *Zero* to enter the Zero function. The screen that appears allows you to select between automatic or manual zero calibration. Use the ▲▼ keys to toggle between AUTO and MAN zero settling. Stop when MAN appears, blinking, on the display.

```
Zero: Settling: Man  
<ENT> To Begin
```

Press *Enter* to begin the zero calibration. After a few seconds the first of five zeroing screens appears. The number in the upper left hand corner is the first-stage zero offset. The microprocessor samples the output at a predetermined rate. It calculates the differences between successive samplings and displays the rate of change as Slope= a value in parts per million per second (ppm/s).

```
#### ppm Zero  
Slope=#### ppm/s
```

Note: It takes several seconds for the true Slope value to display. Wait about 10 seconds. Then, wait until Slope is sufficiently close to zero before pressing Enter to finish zeroing .

Generally, you have a good zero when Slope is less than 0.05 ppm/s for about 30 seconds. When Slope is close enough to zero, press *Enter*. In a few seconds, the screen will update.

Once zero settling is completed, the information is stored in the microprocessor, and the instrument automatically returns to the *Analyze* mode.

4.4.1.3 CELL FAILURE

Cell failure in the 3000TA-XL-EU is usually associated with inability to zero the instrument down to a satisfactorily low ppm reading. When this occurs, the instrument will still Zero, but the 3000TA-XL-EU system alarm trips, and the LCD displays a failure message.

```
##      ppm Anlz  
CELL FAIL/ ZERO HIGH
```

Before replacing the cell:

1. Check your span gas to make sure it is within specifications.
2. Check for leaks up-stream from the cell, where oxygen may be leaking into the system.

If there are no leaks and the span gas is within specification, replace the cell as described in Chapter 6, *Maintenance*.

4.4.2 Span Cal

The *Span* button on the front panel is used to span calibrate the analyzer. Span calibration can be performed using the automatic mode, where an internal algorithm compares consecutive readings from the sensor to determine when the output matches the span gas concentration. Span calibration can also be performed in manual mode, where the operator determines when the span concentration reading is acceptable and manually exits the function.

4.4.2.1 AUTO MODE SPANNING

Press *Span* to enter the span function. The screen that appears allows you to select whether the span calibration is to be performed automatically or manually. Use the ▲ ▼ arrow keys to toggle between AUTO and MAN span settling. Stop when AUTO appears blinking on the display.

Span: Settling: AUTO
<ENT> For Next

Press *Enter* to move to the next screen.

Calib. Holding time
Cal hold: 5 min

This menu allows the operator to set the time the analyzer should be held in the AUTO span mode, after the readings of the analyzer settle. Five minutes is the default, but it could be adjusted anywhere from 1 to 60 minutes by using the ▲▼ keys.

Press *Enter* to move to the next screen.

Span Val: 000008.00
<ENT>Span <UP>Mod #

Use the ▲▼ arrow keys to enter the oxygen-concentration mode. Use the ◀▶ arrow keys to blink the digit you are going to modify. Use the ▲▼ arrow keys again to change the value of the selected digit. When you have finished typing in the concentration of the span gas you are using, press *Enter* to begin the Span calibration.

ppm Span
Slope=#### ppm/s

The beginning span value is shown in the upper left corner of the display. As the span reading settles, the screen displays and updates information on Slope. Spanning automatically ends when the span output corresponds, within tolerance, to the value of the span gas concentration. Then the instrument automatically returns to the *Analyze* mode.

4.4.2.2 MANUAL MODE SPANNING

Press *Span* to start the Span function. The screen that appears allows you to select whether the span calibration is to be performed automatically or manually.

Span: Settling:MAN
<ENT> For Next

Use the ▲▼ keys to toggle between AUTO and MAN span settling. Stop when MAN appears blinking on the display. Press *Enter* to move to the next screen.

Press *Enter* to move to the next screen.

Calib. Holding time
Cal hold: 5 min

This menu allows the operator to set the time the analyzer should be held in the AUTO span mode. It does not have any effect in the MANual mode. Just press *Enter* key to continue.

Span Val: 000008.00
<ENT>Span <UP>Mod #

Press ▲ (<UP>) to permit modification (Mod #) of span value.

Use the arrow keys to enter the oxygen concentration of the span gas you are using (209000.00 if you are using air). The ◀▶ arrows choose the digit, and the ▲▼ arrows choose the value of the digit.

Press *Enter* to enter the span value into the system and begin the span calibration.

Once the span has begun, the microprocessor samples the output at a predetermined rate. It calculates the difference between successive samplings and displays this difference as a Slope on the screen. It takes several seconds for the first Slope value to display. Slope indicates the rate of change of the Span reading. It is a sensitive indicator of stability.

% Span
Slope=#### ppm/s


When the Span value displayed on the screen is sufficiently stable, press *Enter*. (Generally, when the Span reading changes by 1 % or less of the full scale of the range being calibrated, for a period of ten minutes it is sufficiently stable.) Once *Enter* is pressed, the Span reading changes to the correct value. The instrument then automatically enters the Analyze function.

4.4.3 Span Failure

The analyzer checks the output of the cell at the end of the span. If the raw output of the cell is less than 0.5 $\mu\text{A/ppm O}_2$, the span will not be accepted. The analyzer will return to the previous calibration values, trigger the System Alarm, and display the following message on the VFD:

Span Failed!!

This message will be shown for five seconds and the instrument shall return to the Analyze mode. In the upper right hand corner of the

VFD display “FCAL” will be shown. This message flag will help the operator troubleshoot in case calibration was initiated remotely. To reset the alarm and the flag message, the unit must be turned off by cycling the standby key . It will reset if the next span cycle is correct.

A trace cell is unlikely to fail span. As explained before, when the sensor reaches the end of its useful life, the zero offset begins to rise until the analyzer finds the zero unsatisfactory. Nevertheless, feeding the wrong span gas or electronics failure could set this feature off at the end of the span. Consider this before replacing the cell.

4.5 Switching of Sample Streams

The Model 3000TA-XL-EU may be used to monitor more than one type of sample gas, such as nitrogen and helium, or two streams of nitrogen containing low (less than 1 ppm) and high (5000 to 10,000 ppm) concentrations of oxygen.

For these applications, we recommend the following parameters and conditions be followed:

1. While switching streams, such as between nitrogen and helium, both the gas streams must be made to flow continuously even through only one stream is going through the analyzer at one time. Failure to do so may result in spikes in output when the dead-ended stream is switched in. For further information, read the Technical Bulletin - TB00001, dated 3-98. This Bulletin is available upon request from TAI.
2. The analyzer is capable of handling the switching of streams without affecting the sensitivity of the cell. This switching of streams between nitrogen and helium will not require SPAN adjustment. However, care must be taken to keep sample flow rates in the desired levels, as the flowmeter is calibrated for air and nitrogen streams only.
3. The analyzer can withstand repeated switching of streams between low oxygen levels of less than 1 ppm and high oxygen levels of 5000 to 10,000 ppm. Again, care must be taken to ensure proper and continuous flows at all times.



4.5.1 Special Notes on Hydrogen Gas Stream

The standard oxygen cells, Model B-2CXL and Insta-Trace, though tested in nitrogen gas streams, are expected to perform well in hydrogen streams. However, for certain applications such as continuous monitoring of very low levels of oxygen in hydrogen, the user may request cells that have been specifically tested in hydrogen streams. Consult Teledyne for further details.

4.6 The Alarms Function

The Model 3000TA-XL-EU is equipped with 2 fully adjustable concentration alarms and a system failure alarm. Each alarm has a relay with a set of form "C" contacts rated for 3 amperes resistive load at 250 VAC. See Figure 3-5 in Chapter 3, *Installation* and/or the Interconnection Diagram included at the back of this manual for relay terminal connections.

The system failure alarm has a fixed configuration as described in Chapter 3 *Installation*.

The concentration alarms can be configured from the front panel as either *high* or *low* alarms by the operator. The alarm modes can be set as *latching* or *non-latching*, and either *failsafe* or *non-failsafe*, or, they can be *defeated* altogether. The setpoints for the alarms are also established using this function.

Decide how your alarms should be configured. The choice will depend upon your process. Consider the following points:

1. Which if any of the alarms are to be high alarms and which if any are to be low alarms?
 - Setting an alarm as HIGH triggers the alarm when the oxygen concentration rises above the setpoint.
 - Setting an alarm as LOW triggers the alarm when the oxygen concentration falls below the setpoint.
2. Decide whether you want the alarms to be set as:
 - Both high (high and high-high) alarms, or
 - One high and one low alarm, or
 - Both low (low and low-low) alarms.



3. Are either or both of the alarms to be configured as failsafe?
You can set either or both of the concentration alarms to operate in failsafe or non-failsafe mode.
 - In failsafe mode, the alarm relay de-energizes in an alarm condition.
 - For non-failsafe operation, the relay is energized in an alarm condition.
4. Are either of the alarms to be latching?
 - In latching mode, once the alarm or alarms trigger, they will remain in the alarm mode even if process conditions revert back to non-alarm conditions. This mode requires an alarm to be recognized before it can be reset.
 - In the non-latching mode, the alarm status will terminate when process conditions revert to non-alarm conditions.
5. Are either of the alarms to be defeated?
 - The defeat alarm mode is incorporated into the alarm circuit so that maintenance can be performed under conditions which would normally activate the alarms.
 - The defeat function can also be used to reset a latched alarm. (See procedures, below.)

If you are using password protection, you will need to enter your password to access the alarm functions. Follow the instructions in Section 4.3.3 to enter your password. Once you have clearance to proceed, enter the *Alarm* function.

Press the *Alarm* button on the front panel to enter the Alarm function. Make sure that AL-1 is blinking.

AL-1 AL-2
Choose Alarm

Set up alarm 1 by moving the blinking over to AL-1 using the ◀▶ arrow keys. Then press *Enter* to move to the next screen.

AL-1 1000 ppm HI
Dft-N Fs-N Ltch-N

Five parameters can be changed on this screen:

- Value of the alarm setpoint, AL-1 #### ppm (oxygen); this value can be set from 0.00 to 10,000.00 ppm
- Out-of-range direction, HI or LO
- Defeated? Dft-Y/N (Yes/No)
- Failsafe? Fs-Y/N (Yes/No)
- Latching? Ltch-Y/N (Yes/No).

To define the setpoint, use the ◀▶ arrow keys to move the blinking over to AL-1 ####. Then use the ▲▼ arrow keys to change the number. Holding down the key speeds up the incrementing or decrementing. (Remember, the setpoint units are ppm O₂.)

To set the other parameters use the ◀▶ arrow keys to move the blinking over to the desired parameter. Then use the ▲▼ arrow keys to change the parameter.

Once the parameters for alarm 1 have been set, press *Alarms* again, and repeat this procedure for alarm 2 (AL-2).

To reset a latched alarm, go to Dft- and then press either ▲ two times or ▼ two times. (Toggle it to Y and then back to N.)

—or—

Go to Ltch- and then press either ▲ two times or ▼ two times. (Toggle it to N and back to Y).

Web enabled instruments can set the alarm parameters from a remote computer. See Section 5.3.

4.7 The Range Function

The Range function allows the operator to program up to three concentration ranges to correlate with the DC analog outputs. If no ranges are defined by the user, the instrument defaults to:

Low = 0–1 ppm
Med = 0–10 ppm
High = 0–100 ppm.

The Model 3000TA-XL-EU is set at the factory to default to autoranging. In this mode, the microprocessor automatically responds to concentration changes by switching ranges for optimum readout sensitivity. If the current range limits are exceeded, the instrument will automatically shift to the next higher range. If the concentration falls to

below 85% of full scale of the next lower range, the instrument will switch to that range. A corresponding shift in the DC percent-of-range output, and in the range ID outputs, will be noticed.

The autoranging feature can be overridden so that analog output stays on a fixed range regardless of the oxygen concentration detected. If the concentration exceeds the upper limit of the range, the DC output will saturate at 1 VDC (20 mA at the current output).

However, the digital readout and the RS-232 output of the concentration are unaffected by the fixed range. They continue to read accurately with full precision. See *Front Panel* description in Chapter 1.

The automatic air calibration range is always 0-25 % and is not programmable.

Web enabled instruments can set and select ranges remotely using a remote computer. See Section 5.4.

4.7.1 Setting the Analog Output Ranges

To set the ranges, enter the range function mode by pressing the *Range* button on the front panel.

L—1 M—10
H—100 Mode—AUTO

Use the ◀▶ arrow keys to blink the range to be set: low (L), medium (M), or high (H).

Use the ▲▼ arrow keys to enter the upper value of the range (all ranges begin at 0 ppm). Repeat for each range you want to set. Press *Enter* to accept the values and return to Analyze mode. (See note below.)

Note: The ranges must be increasing from low to high, for example, if range 1 is set as 0–100 ppm and range 2 is set as 0–1,000 ppm, range 3 cannot be set as 0– 500 ppm since it is lower than range 2.

Ranges, alarms, and spans are always set in ppm units (over the entire 0-250,000 ppm range), even though all concentration-data outputs change from ppm units to percent when the concentration is above 10,000 ppm.



4.7.2 Fixed Range Analysis

The autoranging mode of the instrument can be overridden, forcing the analyzer DC outputs to stay in a single predetermined range.

To switch from autoranging to fixed range analysis, enter the range function by pressing the *Range* button on the front panel.

Use the ◀▶ arrow keys to move the blinking over **AUTO**.

Use the ▲▼ arrow keys to switch from **AUTO** to **FX/LO**, **FX/MED**, or **FX/HI** to set the instrument on the desired fixed range (low, medium, or high).

L—1 M—10
H—100 Mode—FX/LO

—or—

L—1 M—10
H—100 Mode—FX/MED

—or—

L—1 M—10
H—100 Mode—FX/HI

Press *Escape* to re-enter the *Analyze* mode using the fixed range.

Note: When performing analysis on a fixed range, if the oxygen concentration rises above the upper limit (or default value) as established by the operator for that particular range, the output saturates at 1 VDC(or 20 mA). However, the digital readout and the RS-232 output continue to read the true value of the oxygen concentration regardless of the analog output range.

4.8 The Analyze Function

Normally, all of the functions automatically switch back to the *Analyze* function (*Analyze* mode) when they have completed their assigned operations. Pressing the *Escape* button in many cases also switches the analyzer back to the *Analyze* function. Alternatively, you can press the *Analyze* button at any time to return to analyzing your sample.

4.9 Signal Output

The standard Model 3000TA-XL-EU Trace Oxygen Analyzer is equipped with two 0–1 VDC analog output terminals accessible on the back panel (one concentration and one range ID), and two isolated 4–20 mA DC current outputs (one concentration and one range ID).

See *Rear Panel* in Chapter 3, *Installation*, for illustration.

The signal output for concentration is linear over the currently selected analysis range. For example, if the analyzer is set on range that was defined as 0–100 ppm O₂, then the output would be:

Table 4-1: Output Signals

ppm O ₂	Voltage Signal	Current Signal
	Output (VDC)	Output (mA DC)
0	0.0	4.0
10	0.1	5.6
20	0.2	7.2
30	0.3	8.8
40	0.4	10.4
50	0.5	12.0
60	0.6	13.6
70	0.7	15.2
80	0.8	16.8
90	0.9	18.4
100	1.0	20.0

The analog output signal has a voltage which depends on the oxygen concentration AND the currently activated analysis range. To relate the signal output to the actual concentration, it is necessary to know what range the instrument is currently on, especially when the analyzer is in the autoranging mode.

To provide an indication of the range, a second pair of analog output terminals are used. They generate a steady preset voltage (or



current when using the current outputs) to represent a particular range. The following table gives the range ID output for each analysis range:

Table 4-2: Range ID Output Voltage

Range	Voltage (V)	Current (mA)
LO	0.25	8
MED	0.50	12
HI	0.75	16
CAL (0-25%)	1.00	20

IMPORTANT: In the event of loss of flow through the analyzer, if the vent is vented to a location of high oxygen content, oxygen will back diffuse through the vent line and enter the cell. For the standard B-2CXL Micro-fuel Cell this can saturate the cell with oxygen and require a long purge down time before the sensor can recover. This is less of a problem when using the Insta-Trace sensor which is specifically designed to allow rapid recovery from accidental high oxygen exposures.



In the event that flow is to be interrupted into the analyzer, it is suggested that the user do one of the following:

1. *Bag the sensor in nitrogen during this time*
2. *Install a shut off valve on the vent port of the analyzer or somewhere within the users sample system.*
3. *Retrofit the instrument to use the Insta-Trace Micro-fuel Cell (see Section 3.4)*

4.10 The IP Address Function

This function is only available on web enabled instruments (3000TA-XL-EU-I) and is used to set the IP address of the embedded

Ethernet web server coprocessor. To set the IP address, enter the system menu:

```
Ver SysTest Sample
AL-Hld Temp-Set IP
```

Select IP and press Enter. The last IP address setting will be shown:

```
IP NUMBER
172.016.032.254
```

Adjust each field separated by a point using the Up/Down keys and hop to the next field by using the Right/Left arrow keys. Once the address is set, press the Enter key. The 3000 microcontroller will send the new address to the Ethernet Web Enabled co-processor.

The 3000-I series analyzer microcontroller does not query the Ethernet Web Enabled co-processor on its current IP address. In other words, The IP address displayed is not necessarily the IP address of the Ethernet Web Enabled co-processor, Consider this if when replacing the Ethernet PCB.

4.11 Cold Boot to Return to Default Settings

Occasionally, it may be necessary to return the instrument to its default settings. This can be done using a cold boot as follows:

Turn the power off to the instrument, wait 5 seconds, and then turn the power back on.

On the initial screen you will be prompted to Press System for Defaults. Doing so will revert the analyzer back to the default parameters as set at the factory. The default settings are:

Ranges: LO = 1 ppm, MED = 10 ppm, HI = 100 ppm.

Auto Ranging: ON

Alarm Relays: Defeated, 10.00 ppm, HI, Not failsafe, Not latching.

Zero: Auto, every 0 days at 0 hours.

Span: Auto, at 000,008.00 ppm, every 0 days at 0 hours.



Web Implementation

5.1 The Embedded Browser

The 3000TA-XL-I series instruments come with an Ethernet Web Enabled co-processor. This means that all you need is an Ethernet connection to access the analyzer remotely through an internet browser such as Microsoft® Explorer.

The following three steps will web enable your instrument:

1. Follow the instructions in Chapter 4 Section 4.10 to set the IP address from the front panel of the 3000TA-XL-EU-I Trace Oxygen Analyzer.
2. Connect the analyzer to a network through the RJ45 connector on the side of the instrument.
3. Now you can access the analyzer through an internet browser by typing the IP address of the 3000TA-XL-EU-I analyzer. The address might look like this:

`http://192.168.1.250`

where the numbers are changed to match the numbers entered into the 3000 analyzer. Your browser should display a web page that looks similar to Figure 5-1. The browser data should update approximately every two seconds.

Figure 5-1 shows the opening window that displays once the IP address is entered into the browser window. There are three main areas on the screen as shown in the figure:

- Buttons
- Message Window
- Analyzer Data



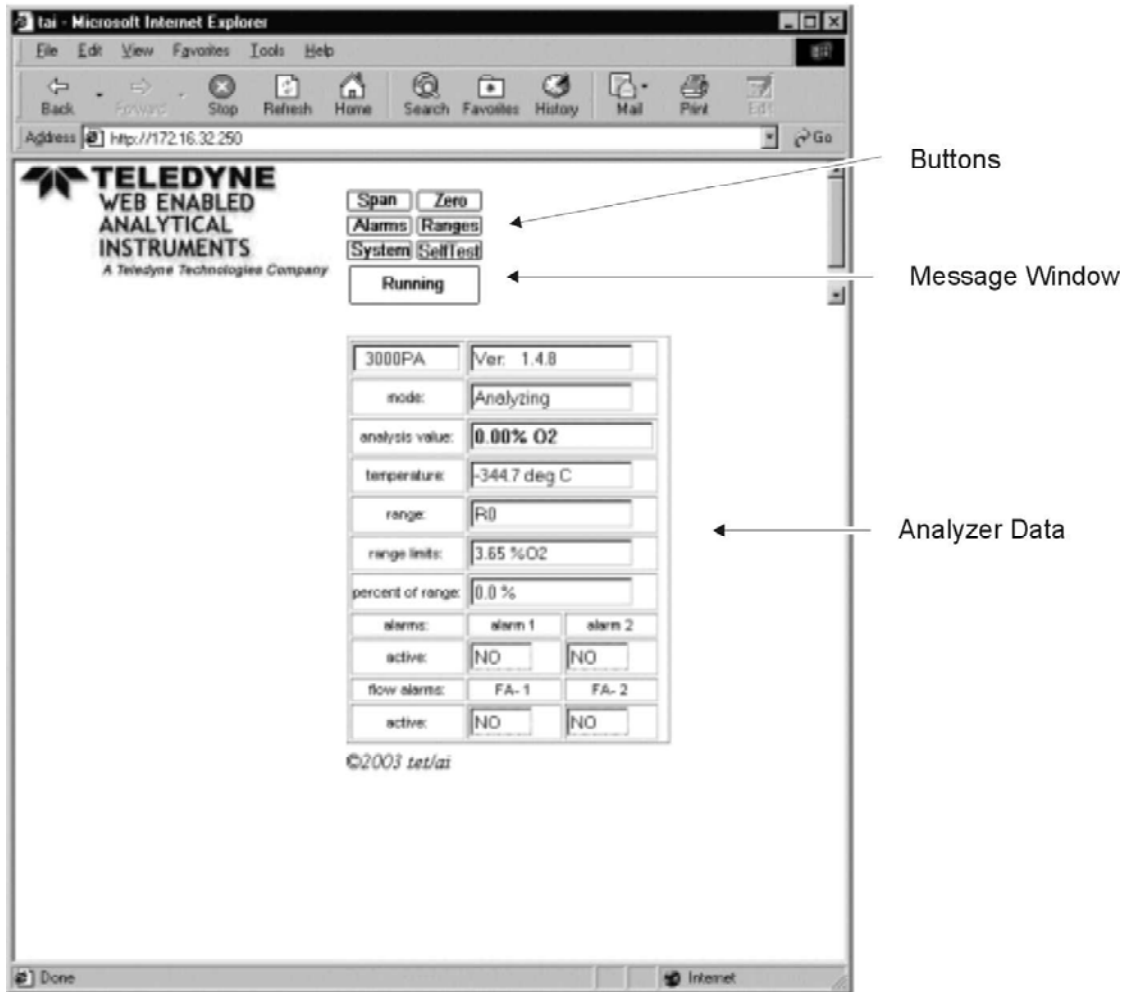


Figure 5-1: Analyzer Status Window—Running

This screen shows the relevant status of the analyzer, such as oxygen reading, current range, alarm status, etc. On the top of the web page there are six functions that can be accessed by clicking on the six buttons. They are:

- Span
- Zero
- Alarms
- Ranges

- System
- Self Test

These functions are described in the following sections.

Below the six buttons is a small message window. In normal mode it would read '**Running**' and actions can be performed, such as pushing buttons and modifying values. When '**Getting Data**' is displayed, the co-processor is busy performing a request. While '**Getting Data**' is displayed, the operator should not click buttons or interact with the browser. Performing an action at that time will be ignored and may disrupt the task the co-processor is engaged in, possibly requiring the user to refresh the browser manually by retyping the IP address.

5.2 Remote Calibration

The 3000TA-XL-EU-I can be zeroed and spanned remotely, but to do so, the instrument must have calibration valves under its control. Refer to Section 3.3.2.2.8 for remote probe connector outputs that can be used to control calibration valves.

After installing the instrument, verify manually (through the front panel) that calibration valves operate properly and that the calibration gases are installed and set to the proper pressure.

5.2.1 Remote Span

To perform a remote span, click the **Span** button at the top of the HTML page. A span calibration window will open as shown in Figure 5-2. Here the operator can set span operation to be automatic or manual, and set the span gas value.

Once these parameters are set, click on the **Start** button. If an auto calibration was chosen, the operator must wait for the analyzer to finish the calibration. In the main data window, the field 'mode' will switch from '**Analyzing**' to '**Getting Span**'. Check the message window to find out when calibration is finished. If manual calibration was chosen, the operator must click on the **Finish** button to force the instrument calibration.

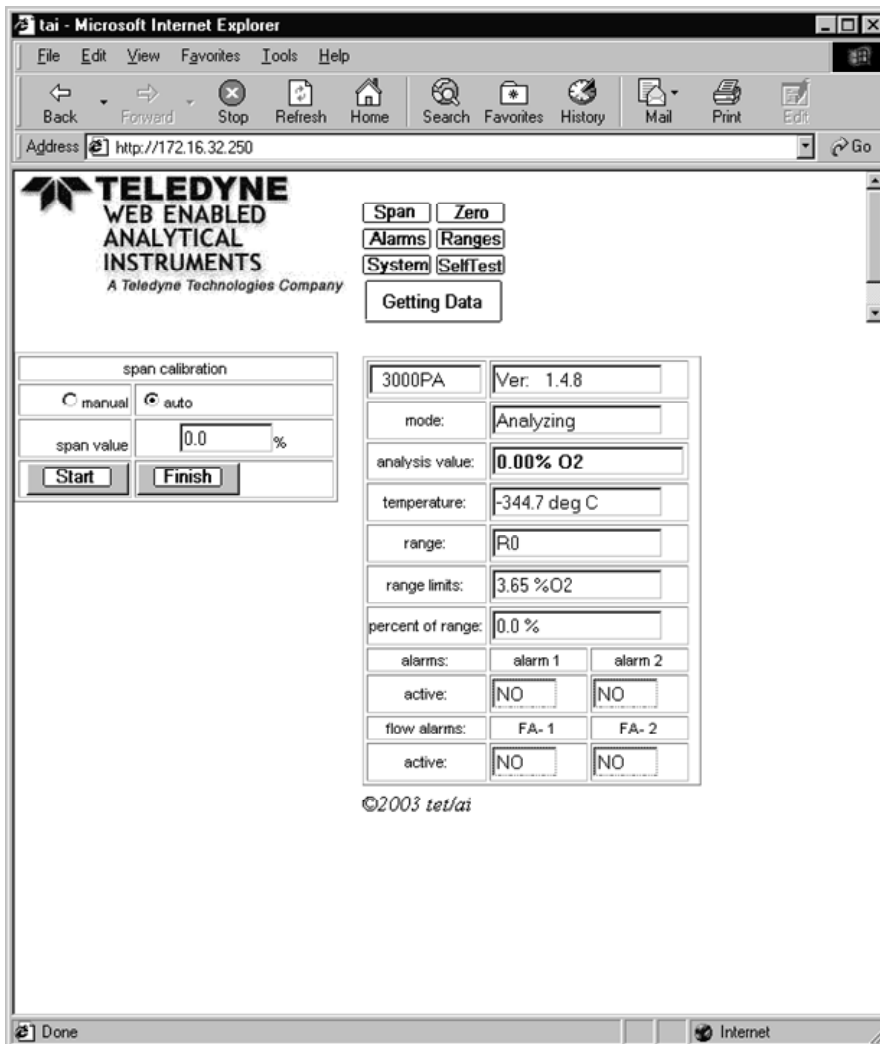


Figure 5-2: Span Calibration Window

5.2.2 Remote Zero

To perform a remote zero, click the **Zero** button at the top of the HTML page. A zero calibration window will open. In this window the operator can set zero operation to be automatic or manual.

Once set, click the **Start** button. If an auto calibration was chosen, the operator must wait for the analyzer to finish the calibration. In the main data window, the field 'mode' will switch from '**analyzing**' to '**getting zero**'. Check the message window to find out when calibration is finished. If manual calibration was chosen, the operator must click the **Finish** button to force the instrument calibration.

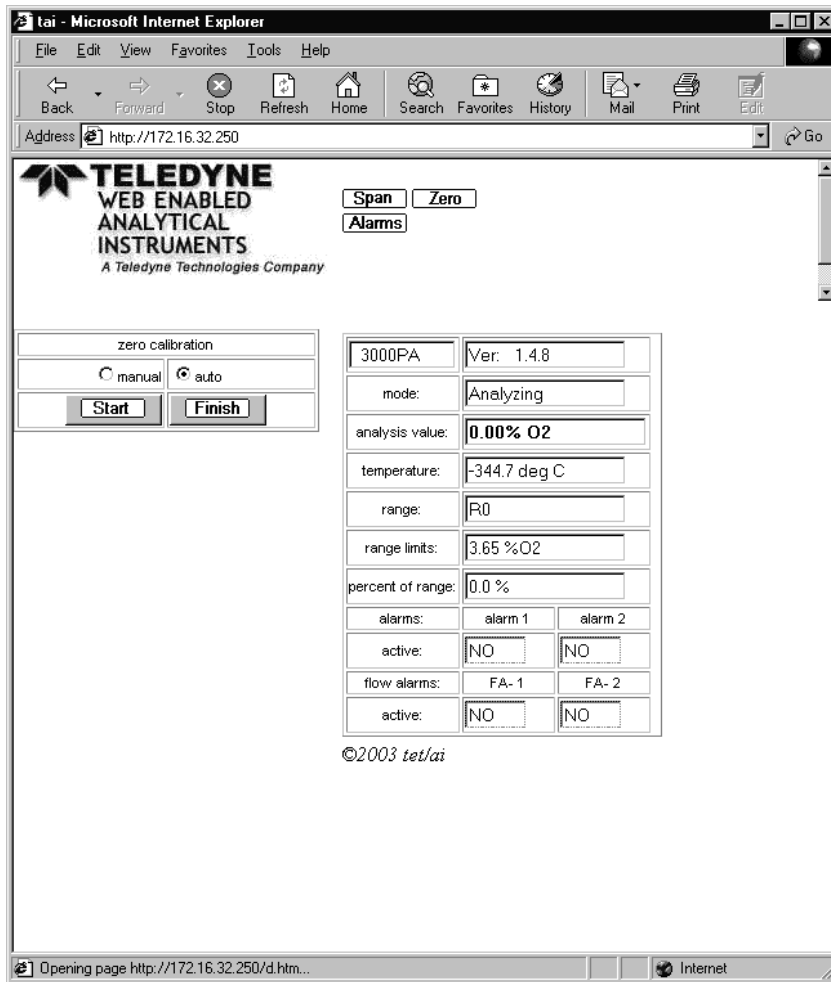


Figure 5-3: Zero Calibration Window

5.3 Set the Alarms Remotely

To set the concentration alarms, Alarm 1 and Alarm 2, click on the **Alarm** button. The setup menu for both alarms will appear on the left side of the web page. After a few seconds, the page will be updated with current settings on the alarms. To find out what each function does, refer to the alarm section in Chapter 4. Only one alarm can be set each time. Adjust all the parameters on the alarm of interest, then click the **Set** button for the corresponding alarm to update control unit. It takes about five seconds for the update to occur. Do not attempt adjustments while 'Getting Data' is displayed in the message window. Repeat the process for adjusting the second alarm.

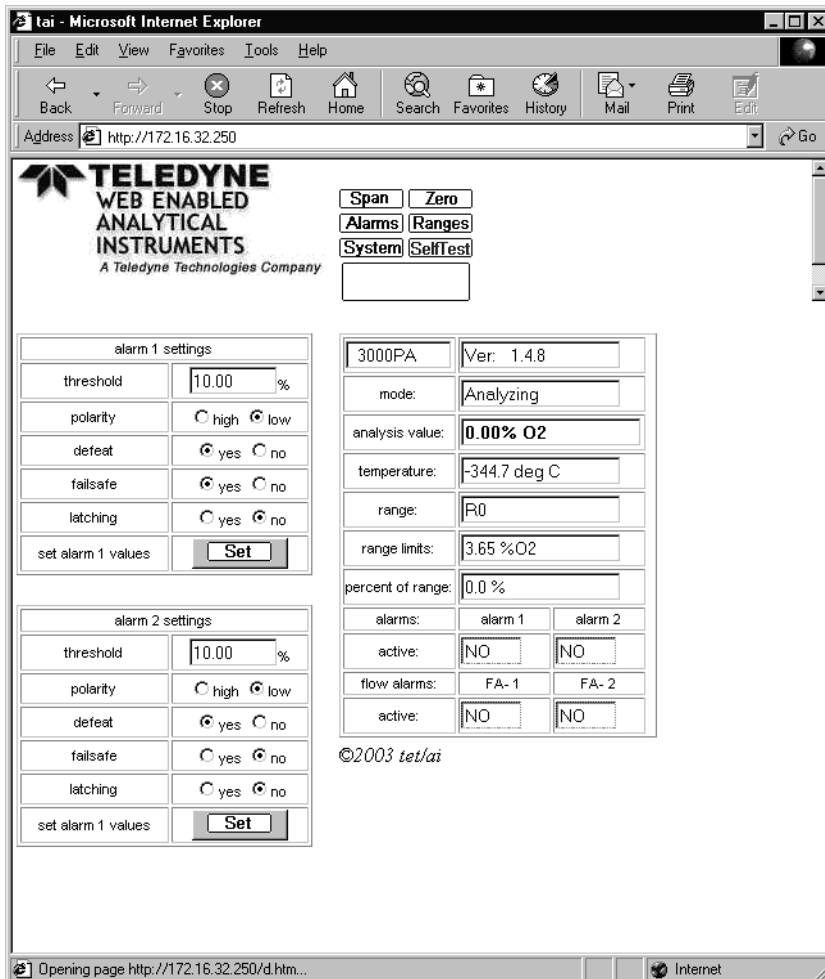


Figure 5-4: Set Alarms Window

5.4 Set the Ranges Remotely

With the 3000TA-XL-EU-I, it is possible to change range settings remotely. Click on the **Range** button and the range menu will appear on the left side of the web page. After a few seconds, the data area will show the current settings of the instrument. The operator can perform changes such as fixing the analyzer in a single range or auto ranging. The operator can change the full scale of any of the ranges as well, but follow the rules of the range function discussed in Chapter 4.

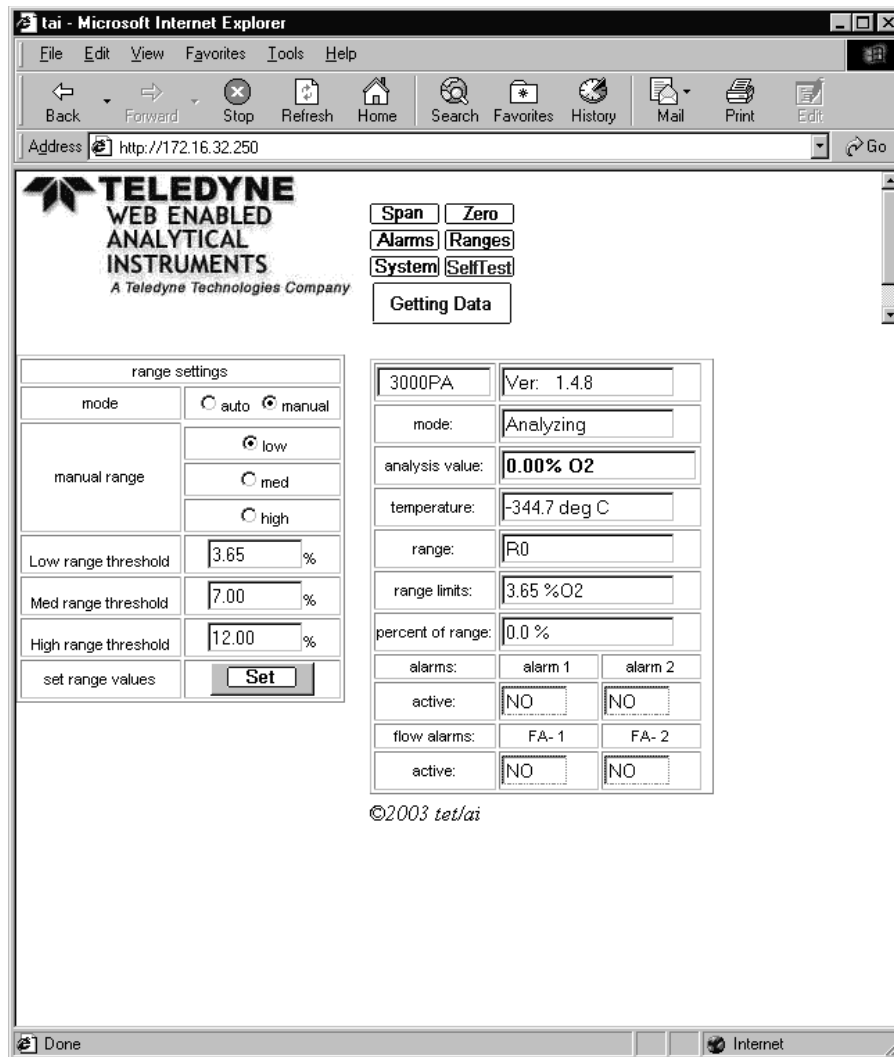


Figure 5-5: Set Range Window

5.5 System Menu

By clicking the **System** button some settings found in the system menu from the front of the control panel can be set, such as: Zero Offset, Alarm Delay, and Auto Calibration. Description of these settings can be found in Chapter 4.

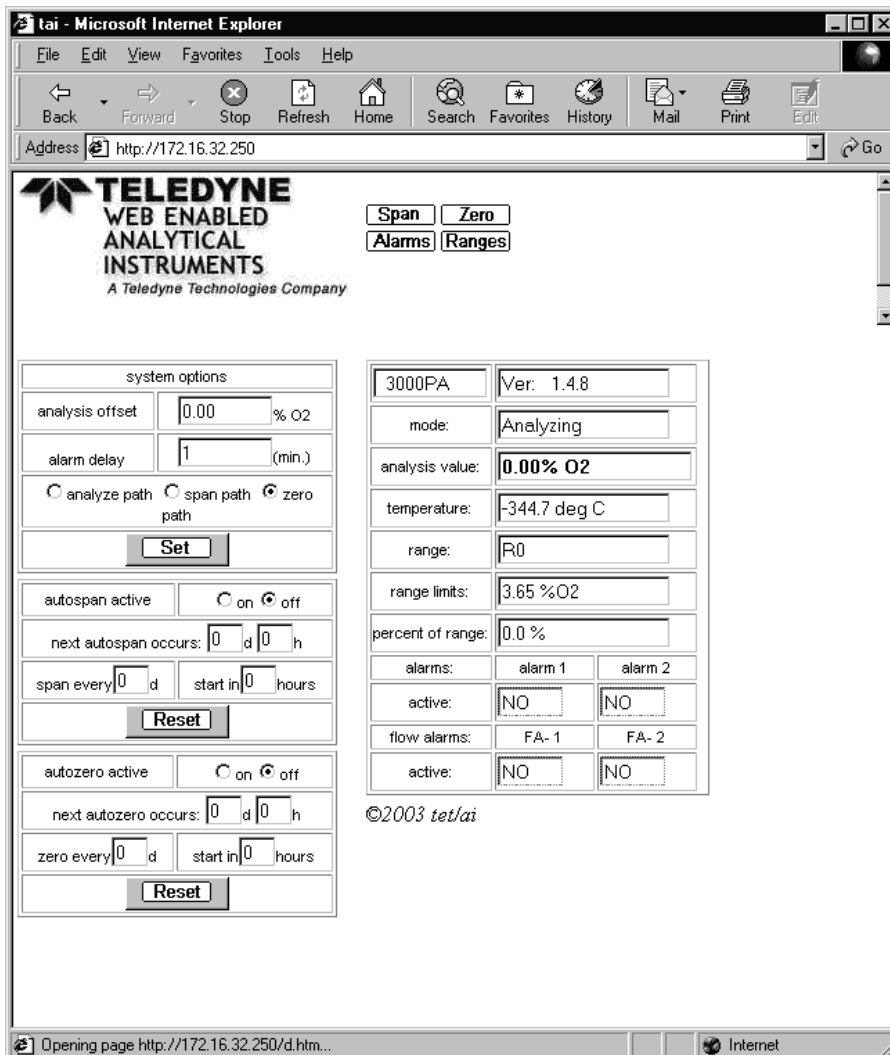


Figure 5-6: System Window

5.6 The Self-Test function

Clicking on the **Self Test** button will initiate an analog self-diagnostic in the instrument. Watch the message window for acknowledgement that the instrument entered the self-diagnostic mode. In the main data window, the field 'mode' will switch from '**analyzing**' to '**self-test**'. The self-test should not take more than one minute for a 3000TA-XL-EU-I. During this time, do not click on any buttons. At the end of the test, the results will be displayed on the left side of the web page.

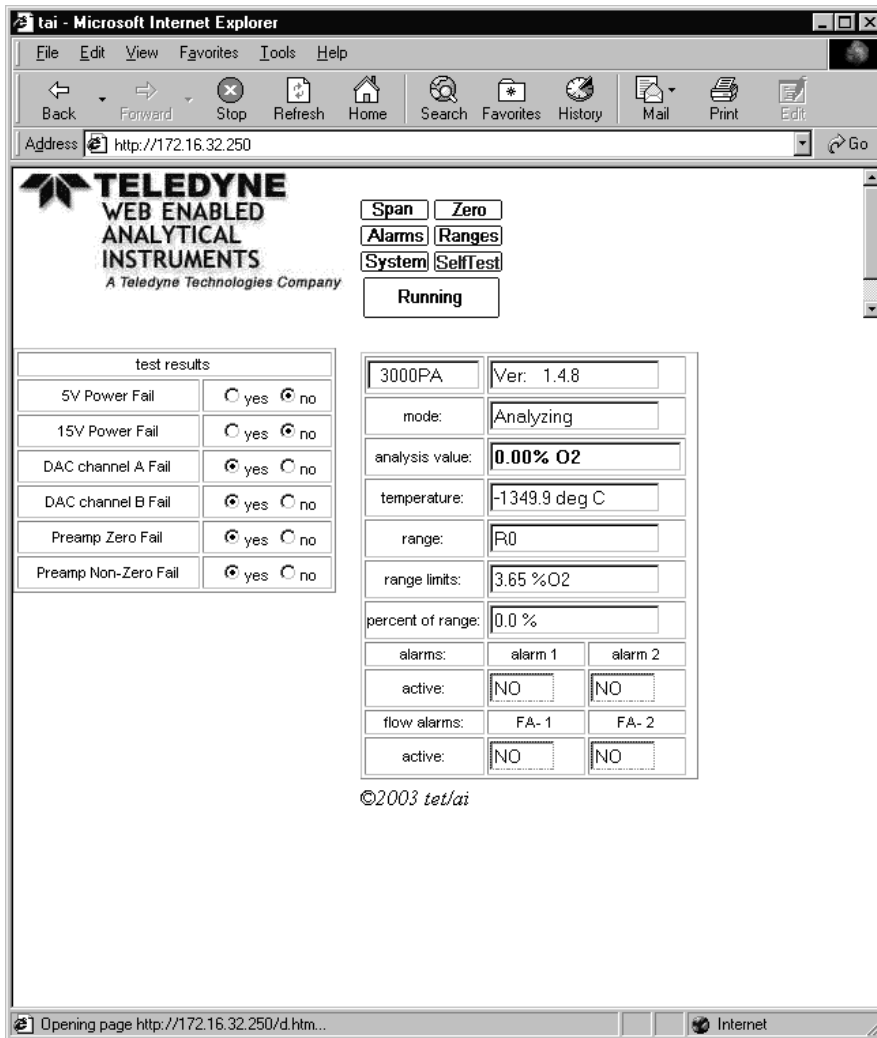


Figure 5-7: Self-Test Window

Maintenance

6.1 Routine Maintenance

Aside from normal cleaning and checking for leaks at the gas connections, routine maintenance is limited to replacing Micro-Fuel cells and fuses, and recalibration. For recalibration, see Section 4.4 *Calibration*.

WARNING: SEE WARNINGS ON THE TITLE PAGE OF THIS MANUAL.



6.2 Cell Replacement

The B-2CXL Micro-Fuel Cell and Insta-Trace Micro-fuel Cells are sealed electrochemical transducers with no electrolyte to change or electrodes to clean. When the cell reaches the end of its useful life, it is replaced. The spent fuel cell should be discarded according to local regulations. This section describes fuel cell care as well as when and how to replace it. Except where specifically noted, the information pertains to both classes of cells.

6.2.1 Storing and Handling Replacement Cells

To have a replacement cell available when it is needed, TAI recommends that one spare cell be purchased 9-10 months after commissioning the 3000TA-XL-EU, or shortly before the end of the cell's one year warranty period.

CAUTION: DO NOT STOCKPILE CELLS. THE WARRANTY PERIOD STARTS ON THE DAY OF SHIPMENT.



The spare cell should be carefully stored in an area that is not subject to large variations in ambient temperature (75°F nominal) or to rough handling.

WARNING: *The sensors used in the model 3000TA-XL-EU Trace Oxygen Analyzer uses electrolytes which contain toxic substances, mainly lead and potassium hydroxide, that can be harmful if touched, swallowed, or inhaled. Avoid contact with any fluid or powder in or around the unit. What may appear to be plain water could contain one of these toxic substances. In case of eye contact, immediately flush eyes with water for at least 15 minutes. Call physician. Refer to the MSDS Sheet accompanying this manual.*



CAUTION: DO NOT DISTURB THE INTEGRITY OF THE CELL PACKAGE USED IN SHIPPING THE B-2CXL MICRO-FUEL CELL UNTIL THE CELL IS TO ACTUALLY BE USED. IF THE CELL PACKAGE IS PUNCTURED AND AIR IS PERMITTED TO ENTER, THIS TYPE OF CELL WILL REQUIRE AN EXCESSIVELY LONG TIME TO REACH ZERO AFTER INSTALLATION (1-2 WEEKS!).



6.2.2 When to Replace a Cell

Cell failure in the 3000TA-XL-EU is usually characterized by a significant increase in the zero offset of more than 1.0 ppm oxygen or the inability to calibrate the sensor. When this occurs, the 3000TA-XL-EU will still zero but the system alarm trips, and the LCD displays a failure message.

ppm Anlz

CELL FAIL/ ZERO HIGH

Before replacing the cell:

1. Check your span gas to make sure it is within specifications.
2. Check for leaks upstream from the cell, where oxygen may be leaking into the system.

If there are no leaks and the span gas is within specification, replace the cell.



6.2.3 Removing the Micro-Fuel Cell

The Micro-Fuel cell is located inside the stainless steel cell block behind the front panel. Refer to Figure 6-1 for the B-2CXL cell and Figure 6-2 for the Insta-Trace cell.

To remove an existing cell:

1. Remove power to the instrument by unplugging the power cord at the power source.
2. Open the front panel door by pressing the release button on the top right corner of the door all the way in with a narrow gauge tool.
3. With one hand placed underneath the cell block ready to catch the Micro-fuel Cell, lift up on the stainless steel gate in front of the cell block. This releases the cell and cell holder from the block. The cell and holder will fall out in your hand.

6.2.4 Installing a New Micro-Fuel Cell

Before installing a new cell, check the O-ring in the base of the cell holder. Replace if worn or damaged.

1. Place the cell on the holder with the screen side facing down.

Note: There is a small location hole drilled in the holder. This hole mates with a guide pin on the bottom rear of the cell block. The hole in the cell block holder must align with the guide pin on the cell block.

2. With O-ring in place, align the guide pin with the hole on the cell holder. Then, with the holder, lift cell into the cell block.
3. Push the gate on the cell block down so that the slots on the side of the gate engage the locating screws on the side of the block. This forces the holder into position and forms a gas-tight seal.



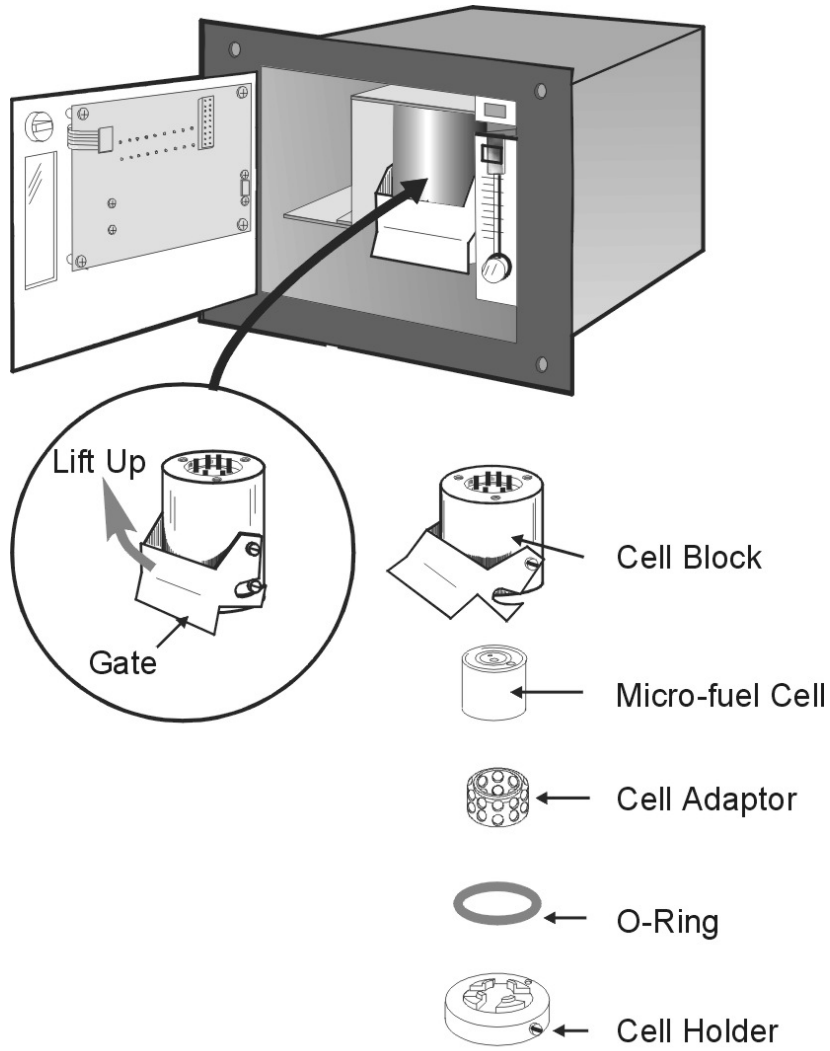


Figure 6-1: Removing the Micro-Fuel

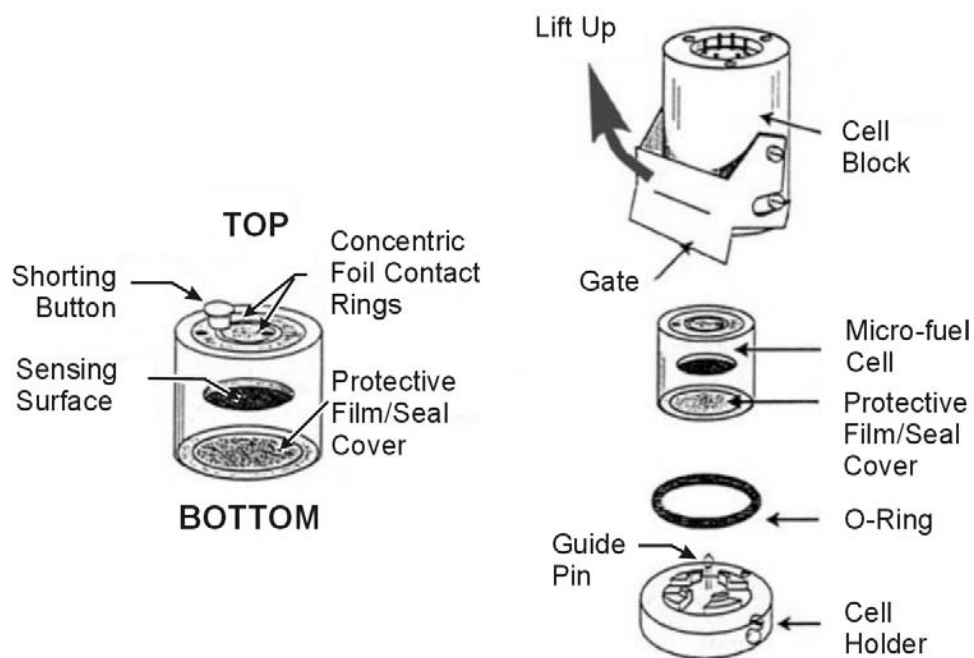


Figure 6-2: Installing the Insta-Trace Cell

6.2.5 Cell Warranty

The Class B-2CXL and the Insta-Trace Micro-fuel Cells are used in the Model 3000TA-XL-EU. These cells are warranted for 6 months from the date of shipment. Note any Addenda attached to the front of this manual for special information applying to your instrument.

With regard to spare cells, warranty period begins on the date of shipment. The customer should purchase only one spare cell (per Section 6.2.1). Do not stockpile spare cells.

Neither the B-2CXL cell nor the Insta-Trace cell is designed for applications where CO₂ is a major component in the sample, however concentrations of 1,000 ppm or less will not adversely affect the cell performance. There are sensors available for CO₂ applications.

Consult TAI for the appropriate cell for measuring trace oxygen in the presence of CO₂.

If a cell was working satisfactorily, but ceases to function before the warranty period expires, the customer will receive credit toward the purchase of a new cell.

If you have a warranty claim, you must return the cell in question to the factory for evaluation. If it is determined that failure is due to faulty workmanship or material, the cell will be replaced at no cost to you.

Note: Evidence of damage due to tampering or mishandling will render the cell warranty null and void.

6.3 Fuse Replacement

1. Place small screwdriver in notch, and pry cover off, as shown in Figure 6-3.

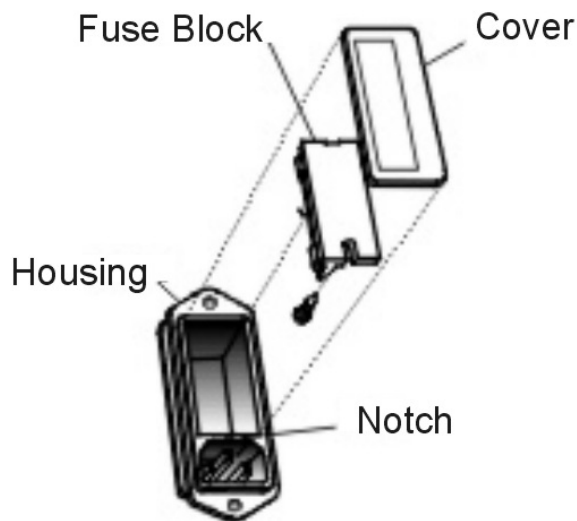
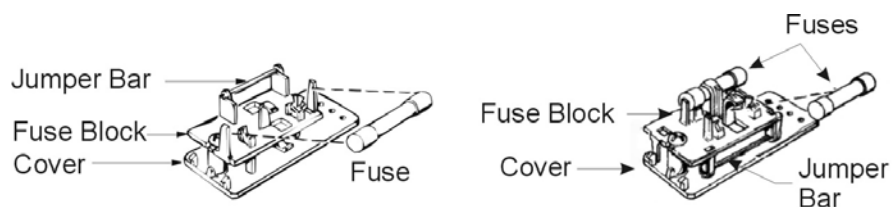


Figure 6-3: Removing Fuse Block from Housing

2. To change between American and European fuses, remove the single retaining screw, flip Fuse Block over 180 degrees, and replace screw.

3. Replace fuse as shown in Figure 6-4.
4. Reassemble Housing as shown in Figure 6-3.



American Fuses

European Fuses

Figure 6-4: Installing Fuses

6.4 System Self Diagnostic Test

1. Press the *System* button to enter the system mode.
2. Use the ◀▶ arrow keys to move to *More*, and press *Enter*.
3. Use the ◀▶ arrow keys to move to *Self-Test*, and press *Enter*.

The following failure codes apply:

Table 6-1: Self Test Failure Codes

Power	
0	OK
1	5 V Failure
2	15 V Failure
3	Both Failed
Analog	
0	OK
1	DAC A (0–1 V Concentration)
2	DAC B (0–1 V Range ID)
3	Both Failed

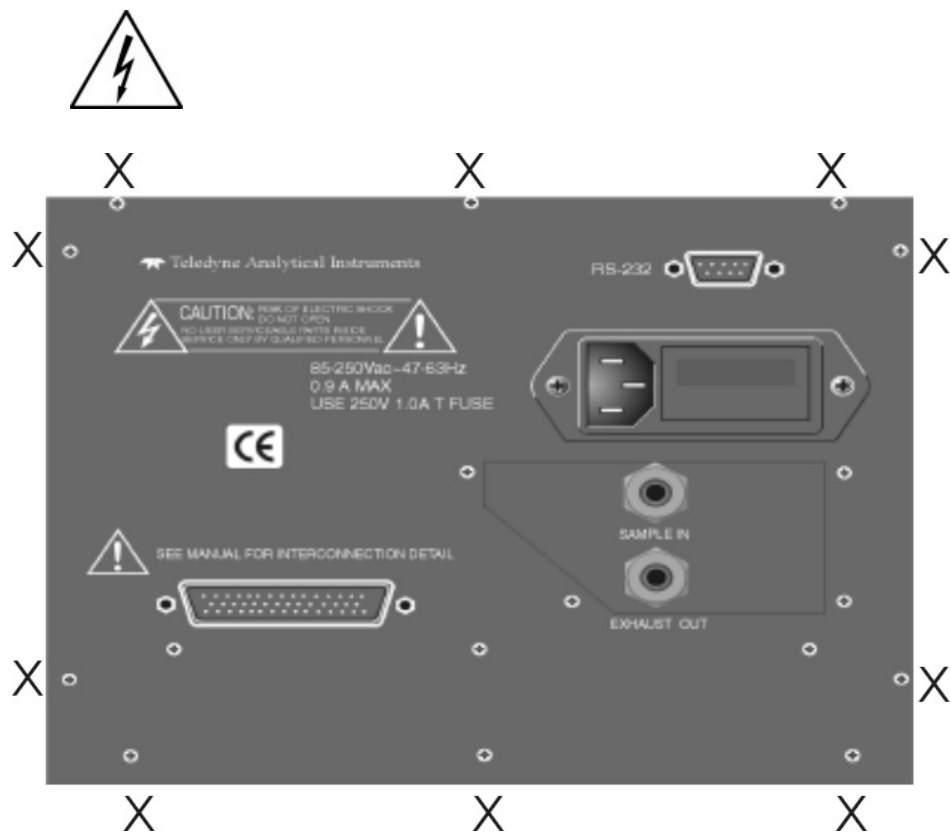
Preamp

0	OK
1	Zero too high
2	Amplifier output doesn't match test input
3	Both Failed

6.5 Major Internal Components

The Micro-fuel Cell is accessed by unlatching and swinging open the front panel, as described earlier. Other internal components are accessed by removing the rear panel and sliding out the entire chassis. See Figure 6-5, below. The gas piping is illustrated in Figures 2-4 and 2-5 and the major electronic components locations are shown in Figure 2-6, in Chapter 2.

WARNING: See warnings on the title page of this manual.



*Figure 6-5: Rear Panel Removal
(Remove only those screws marked with an X)*

The 3000TA-XL contains the following major components:

- Analysis Section
- Micro Fuel Cell (B-2CXL)
- Stainless steel cell block
- Sample system
- Power Supply
- Microprocessor
- Displays
- 5 digit LED meter
- 2 line, 20 character, alphanumeric, VFD display
- RS-232 Communications Port

See the drawings in the Drawings section in back of this manual for details.

6.6 Cleaning

If the instrument is unmounted at time of cleaning, disconnect the instrument from the power source. Close and latch the front-panel access door. Clean outside surfaces with a soft cloth dampened slightly with plain clean water. Do not use any harsh solvents such as paint thinner or benzene.

For panel-mounted instruments, clean the front panel as prescribed in the above paragraph. DO NOT wipe front panel while the instrument is controlling your process.

6.7 Troubleshooting

Problem: *Erratic readings of the Oxygen concentration as reported by the analyzer.*

Possible Cause:

The analyzer may have been calibrated in an inaccurate fashion.

Solution:

Turn the analyzer off, then turn back on again. Press the **System** key when prompted by the analyzer "Press System for Default Values". This will return the analyzer to its default settings in calibration and zero values. If erratic behavior continues clean sensor contacts or replace the sensor.

Possible Cause:

Atmospheric oxygen may be diffusing in through the vent and affecting the oxygen level which the sensor sees.

Solution:

Increase flow rate and/or length or vent tubing in order to dilute or minimize the diffusion of oxygen from the vent back to the sensor.

Problem: *Inaccurate zero operation (i.e. the user has zeroed the analyzer accidentally on gas much higher than one would normally use for a zero gas).*

Solution:

Turn the analyzer off, then back on again. Press the **System** key when prompted by the analyzer "Press System for Default Values". This will return the analyzer to its default settings in calibration and zero values. Now proceed to carefully calibrate and zero the analyzer.

Appendix

A-1 Specifications

Packaging: General Purpose

- Flush panel mount (Standard)
- Relay rack mount. Contains either one or two instruments in one 19" relay rack mountable plate (Optional).

Sensor: Teledyne B-2CXL trace analysis Micro-fuel Cell.

Insta-Trace Micro-fuel Cell (option)

Cell Block: 316 stainless steel.

Sample System: All wetted parts of 316 stainless steel.

90 % Response Time: 65 seconds at 25°C (77°F) on 10 ppm range.

100 seconds on 1 ppm range.

Ranges: Three user definable ranges from 0–1 ppm to 0–250,000 ppm, plus air calibration range of 0-250,000 ppm (25%).

Autoranging with range ID output.

Alarms: One system-failure alarm contact to detect power failure or sensor zero failure.

Two adjustable concentration threshold alarm contacts with fully programmable setpoints.

Displays: 2-line by 20-character, VFD screen, and one 5 digit LED display.

Digital Interface: Full duplex RS-232 communications port.



Power: Universal power supply 85-250 VAC, at 47-63 Hz.

Operating Temperature: 5-35°C (41-95°F)

Accuracy: ±2% of full scale at constant temperature on all ranges except 0-1 ppm.

±5% of full scale over operating temperature range, except 0-10 ppm and 0-1 ppm analysis range, once thermal equilibrium is reached.

±0.1 ppm on 0-1 ppm analysis range, once thermal equilibrium is reached.

Analog outputs: 0-1 VDC percent-of-range,

0-1 VDC range ID.

4-20 mA DC (isolated) percent-of-range,

4-20 mA DC (isolated) range ID.

Dimensions: 19 cm high, 24.9 cm wide, 31 cm deep (6.96 in high, 8.7 in wide, 12.2 in deep).



A-2 Recommended 2-Year Spare Parts List

Qty.	Part Number	Description
1	C65507A	Back Panel Board
1	C62371-B	Front Panel Board
1	C69367	Preamplifier Board (Instruction)
1	C73870-A	Main Computer Board
1	F10	Fuse, 2A, 250V 3AG Slow Blow
2	F1296	Fuse, 2A, 250V 5x20mm (European) Slow Blow
1	O165	O-ring
1	A68314	Back Panel Connector Kit
1*	C6689-B2CXL	Micro-Fuel Cell (do not store for more than 6 months)
1	B66378	B2C adaptor for cell block
1*	B73592	Insta-Trace Micro-fuel Cell

*Order C-6689-B2CXL or B73592 depending on your instrument configuration

Note: Orders for replacement parts should include the part number (if available) and the model and serial number of the instrument for which the parts are intended.

Orders should be sent to:

TELEDYNE Analytical Instruments

16830 Chestnut Street
City of Industry, CA 91748

Phone (626) 934-1500, Fax (626) 961-2538

Web: www.teledyne-ai.com
or your local representative.

A-3 Drawing List

D-69604 Outline Drawing

A-4 19-inch Relay Rack Panel Mount

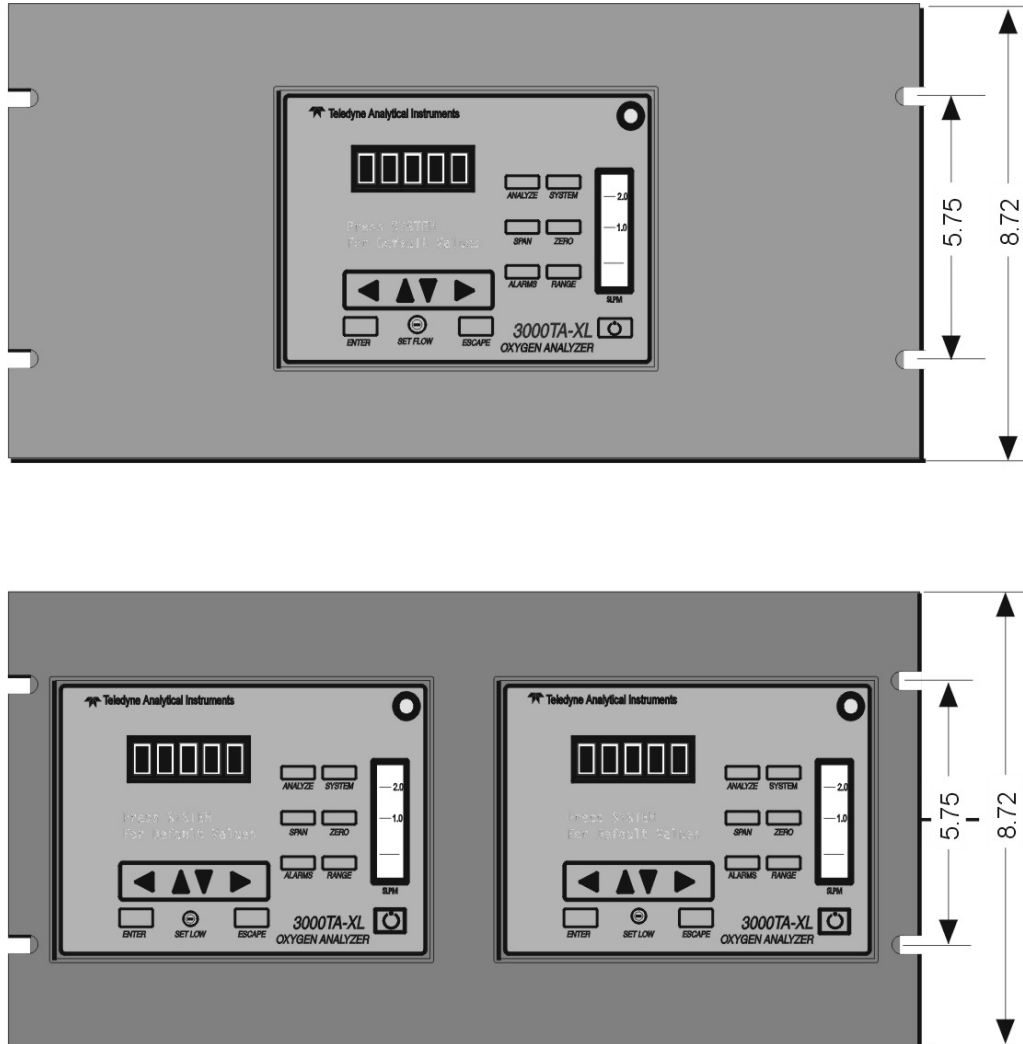


Figure A-1: Single and Dual 19" Rack Mounts
(dimensions in mm)

A.5 Application notes

3000XL SERIES ANALYZERS

APPLICATION NOTES ON PRESSURES AND FLOW RECOMMENDATIONS

The 3000 series analyzers require reasonably regulated sample pressures. While the 3000 analyzers are not sensitive to variations of incoming pressure provided they are properly vented to atmospheric pressure. The pressure must be maintained as to provide a useable flow rate through the analyzer. Any line attached to sample vent should be 1/4 or larger in diameter.

FLOW RATE RECOMMENDATIONS:

A usable flow rate for a 3000XL series analyzer is one which can be measured on the flowmeter. This is basically 0.5 - 2.0 SLPM. The optimum flow rate is 1 SLPM (mid scale).

Note: Response time is dependent on flow rate, a low flow rate will result in a slow response to any O₂ changes in the sample stream. The span flow rate should be approximately the same as the sample flow rate.

CELL PRESSURE CONCERNS:

The sensors used in 3000XL series analyzers are optimized to function at atmospheric pressure. At pressures other than atmospheric the diffusion rate of O₂ will be different than the optimum value. Higher pressures will produce faster O₂ diffusion rates resulting in a higher O₂ reading and shorter cell life. To use a 3000XL series analyzer at a cell pressure other than atmospheric, the analyzer must be calibrated with a known calibration gas at the new cell pressure to adjust for the different diffusion rate. Cell pressures below 2/3 atmospheric are not recommended because they tend to cause excessive internal expansion which may result in seal failure.

For operation at cell pressures other than atmospheric, care must be taken to avoid changing the sample pressure too rapidly or cell

damage may occur. For cell pressures above atmospheric, caution must be exercised to avoid over pressuring the cell holder.

FLOW CONTROL VALVE:

All 3000XL series analyzers have a flow control device. This device is a needle valve, and serves two functions in the sample path:

1. It limits the flow rate of the sample through the analyzer. The needle valve is chosen to operate over a specific range of pressures and provide a useable flow rate over that range.
2. The needle valve provides a pressure drop. This device is selected to provide the only significant pressure drop in the sample path.

BYPASS:

To improve the system response, a bypass can be added to increase the sample flow rate to the analyzer by a factor of ten. A by-pass provides a sample flow path around the analyzer of 2 - 18 SCFH typically.

CONVERSIONS:

1 PSI = 2.04 INCHES OF MERCURY (in. Hg.)

1 SCFH = 0.476 SLPM

Material Safety Data Sheet

Section I - Product Identification

Product Name: Micro-fuel Cells
 Mini-Micro-fuel Cells
 Super Cell, all classes except T-5F
 Electrochemical Oxygen Sensors, all classes

Manufacturer: Teledyne Electronic Technologies
 Analytical Instruments

Address: 16380 Chestnut Street,
 City of Industry, CA 91749

Phone: (626) 961-9221

Technical Support: (626) 934-1673

Environment, Health and Safety: (626) 934-1592

Date Prepared: 11/23/98

Section II - Physical and Chemical Data

Chemical and Common Names:	Potassium Hydroxide (KOH), 15% (w/v) Lead (Pb), pure
CAS Number:	KOH 1310-58-3 Pb 7439-92-1
	KOH (15% w/v) Pb (pure)
Melting Point/Range:	-10 to 0 °C 328 °C
Boiling Point/Range:	100 to 115 °C 1744 °C
Specific Gravity:	1.09 @ 20 °C 11.34
pH:	>14 N/A
Solubility in Water:	Completely soluble Insoluble
Percent Volatiles by Vol.:	None N/A
Appearance and Odor:	Colorless, odorless solution Grey metal, odorless

Section III -Physical Hazards

Potential for fire and explosion: The electrolyte in the Micro-fuel Cells is not flammable. There are no fire or explosion hazards associated with Micro-fuel Cells.

Potential for reactivity: The sensors are stable under normal conditions of use. Avoid contact between the sensor electrolyte and strong acids.

Section IV - Health Hazard Data

Primary route of entry: Ingestion, eye/skin contact

Exposure limits: OSHA PEL: 0.05 mg./cu.m. (Pb)
ACGIH TLV: 2 mg/ cu.m. (KOH)

Effects of overexposure

Ingestion: The electrolyte could be harmful or fatal if swallowed.
Oral LD50 (RAT) = 3650 mg/kg

Eye: The electrolyte is corrosive; eye contact could result in permanent loss of vision.

Dermal: The electrolyte is corrosive; skin contact could result in a chemical burn.

Inhalation: Liquid inhalation is unlikely.

Signs/symptoms of exposure: Contact with skin or eyes will cause a burning sensation and/or feel soapy or slippery to touch.

Medical conditions aggravated by exposure: None

Carcinogenicity: NTP Annual Report on Carcinogens: Not listed
LARC Monographs: Not listed
OSHA: Not listed

Other health hazards: Lead is listed as a chemical known to the State of California to cause birth defects or other reproductive harm.

Section V - Emergency and First Aid Procedures

Eye Contact: Flush eyes with water for at least 15 minutes and get immediate medical attention.

Skin Contact: Wash affected area with plenty of water and remove contaminated clothing. If burning persists, seek medical attention.

Ingestion: Give plenty of cold water. Do not induce vomiting. Seek medical attention. Do not administer liquids to an unconscious person.

Inhalation: Liquid inhalation is unlikely.

Section VI - Handling Information

NOTE: The oxygen sensors are sealed, and under normal circumstances, the contents of the sensors do not present a health hazard. The following information is given as a guide in the event that a cell leaks.

Protective clothing: Rubber gloves, chemical splash goggles.

Clean-up procedures: Wipe down the area several times with a wet paper towel. Use a fresh towel each time.

Protective measures during cell replacement: Before opening the bag containing the sensor cell, check the sensor cell for leakage. If the sensor cell leaks, do not open the bag. If there is liquid around the cell while in the instrument, put on gloves and eye protection before removing the cell.

Disposal: Should be in accordance with all applicable state, local and federal regulations.

NOTE: The above information is derived from the MSDS provided by the manufacturer. The information is believed to be correct but does not purport to be all inclusive and shall be used only as a guide. Teledyne Analytical Instruments shall not be held liable for any damage resulting from handling or from contact with the above product.

