

How to Test the DC Voltages on 3000TA Rear Panel Board?

Scope:

Power Module used in 3000TA is compact & maintenance free module, which normally doesn't give any kind of maintenance or service. If, however, it is observed that display is missing due to any voltage problem. It can be measured as follows.

Parts:

Multimeter

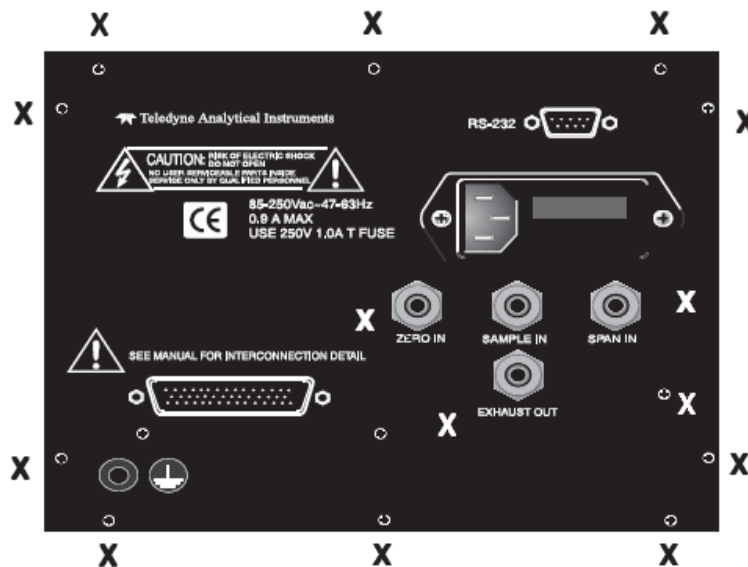
Tools:

Screw Driver set.

Procedure:

Remove power to the instrument by unplugging the power cord at the power source.

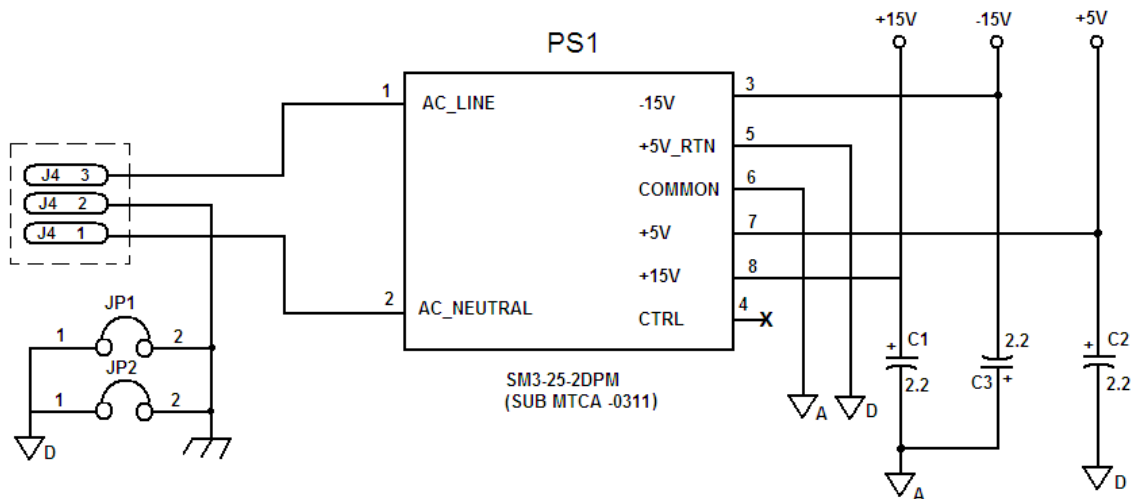
Follow the below procedure for removing the rear panel assembly.



To detach the rear panel, remove only the 14 screws marked with an X. Position the rear panel assembly properly & apply the power supply to the instrument.

Locate the Power supply module on the Rear Panel Board. Keep the Multimeter in DC Voltage range (0-20 or 40 VDC range).

Refer the below Circuit diagram to measure the voltages on the Rear Panel Board- Power Module;



Insure that AC power supply is available at PS1 pin 1 & 2.

To measure the +15 VDC, put the multimeter –Ve lead at GND point “A” & put the multimeter +Ve at +15 VDC test point OR PS1 pin “8”, observe the measured voltage.

To measure the -15 VDC, put the multimeter –Ve lead at GND point “A” & put the multimeter +Ve at -15 VDC test point OR PS1 pin “3”, observe the measured voltage.

To measure the +5 VDC, put the multimeter –Ve lead at GND point “A” & put the multimeter +Ve at +5 VDC test point OR PS1 pin “7”, observe the measured voltage.

If all three +15 VDC, -15VDC & +5 VDC are correct then the Power supply module is OK, other wise it need replacement.