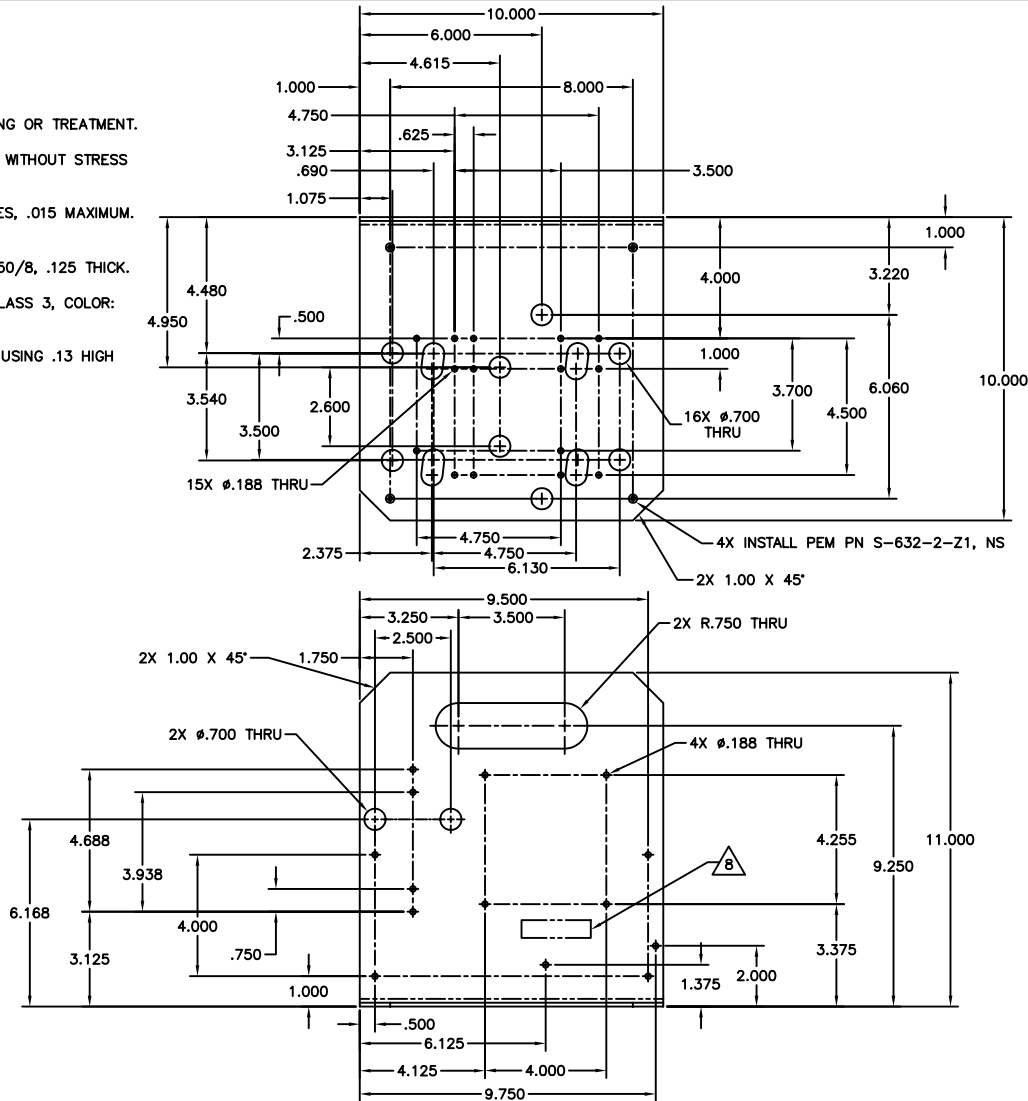
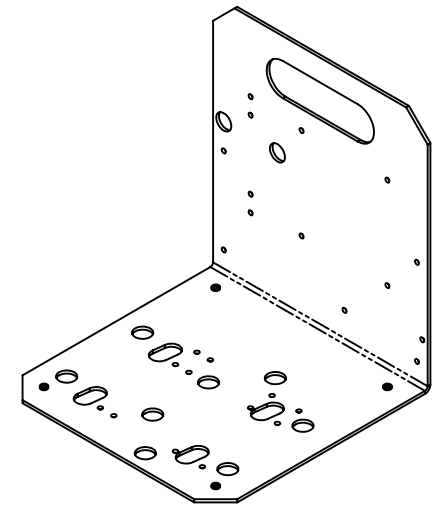


NOTES:

1. INTERPRET DRAWING IAW ASME Y14.5M-1994.
 2. ALL ABBREVIATIONS ARE PER MIL-STD-12.
 3. ALL DIMENSIONAL LIMITS APPLY AFTER PLATING OR TREATMENT.
 4. ALL BENDS AND BEND RELIEFS ARE MINIMUM WITHOUT STRESS FRACTURES.
 5. REMOVE ALL BURRS AND BREAK SHARP EDGES, .015 MAXIMUM. REMOVE ALL DEBRIS, OILS, AND METAL CHIPS.
 6. MATERIAL: 5052-H32 AL ALY IAW QQ-A-250/8, .125 THICK.
- 7 **△** FINISH: CHEMICAL FILM IAW MIL-C-5541, CLASS 3, COLOR: CLEAR.
- 8 **△** MARK PART NUMBER WITH LATEST REVISION USING .13 HIGH CHARACTERS APPROXIMATELY WHERE SHOWN.



REVISIONS				
ZONE	REV	DESCRIPTION	DATE	APPROVED
	A	ADDED 11.00 & 9.28 DIMS	11/28/92	JB
	B	ADDED EIGHT "B" HOLES	01/22/93	JB
	C	ADDED RACK MOUNT HOLES	10/25/93	JB
	D	ADDED M200AU PUMP MOUNTING	08/13/97	EH
	E	ADDED FOUR "C" HOLES FOR M200AU PUMP MOUNTING	09/05/97	EH
	F	ADDED FOUR .700 HOLES FOR PU0000036	03/12/99	RLD
C4	G	ADDED TWO .700 HOLES, 16X .700 WAS 14X .700	08/10/99	RLD
C5	H	REPLACED FOUR 4-32UNC-2B HOLES WITH FOUR S6632-2-10 PEM NUTS	10/01/99	RLD
	J	REMOVED ALL GD+Y STD BLOCK TOL APPLY ADDED NOTE 8	10/20/01	EM
2948	K	CHG'D FROM ANODIZE TO CHEM FILM	2/24/04	KV
3864	L	ADDED THREE .188 DIA HOLES FOR PU71	2/7/06	KV
4278	M	MOVED THE FRONT FEET MTG PEMs	11/21/06	KV



PRINTED DOCUMENTS ARE UNCONTROLLED

The information hereon is the property of API and is submitted in strictest confidence for reference only. Unauthorized use by anyone for any other purpose is prohibited. This document or any information contained in it may be duplicated without proper authorization.

00	1	1	014850000	PUMP PACK
00	1	1	012820000	PUMP PACK
00	1	1	012380000	PUMP PACK
00	1	1	012310000	PUMP PACK
00	1	1	009810000	PUMP PACK
00	1	1	009130000	PUMP PACK
00	1	1	006940000	PUMP PACK
00	1	1	001840000	PUMP PACK
00	1	1	001830000	PUMP PACK

UNLESS OTHERWISE SPECIFIED DIMENSIONS ARE IN INCHES TOLERANCES ARE: .0005 ±.0005 .001 ±.0005 .005 ±.0005 .010 ±.0005 .015 ±.0005 .030 ±.0005 .060 ±.0005 .125 ±.0005 .250 ±.0005 .500 ±.0005 1.000 ±.0005 1.500 ±.0005 2.000 ±.0005 3.000 ±.0005 4.000 ±.0005 6.000 ±.0005 10.000 ±.0005

DO NOT SCALE DRAWING

PROJECTION: NA

THIRD ANGLE PROJECTION

APPROVALS	DATE
J. Byrne	12/17/92
R.L. Derhaeg	03/12/99

ADVANCED POLLUTION INSTRUMENTATION, INC.
SAN DIEGO, CA

CHASSIS PUMP PACK

REV: 1/2 TITLE: 009111 1 OF 1

PART NO. 009111 REV. 1 M