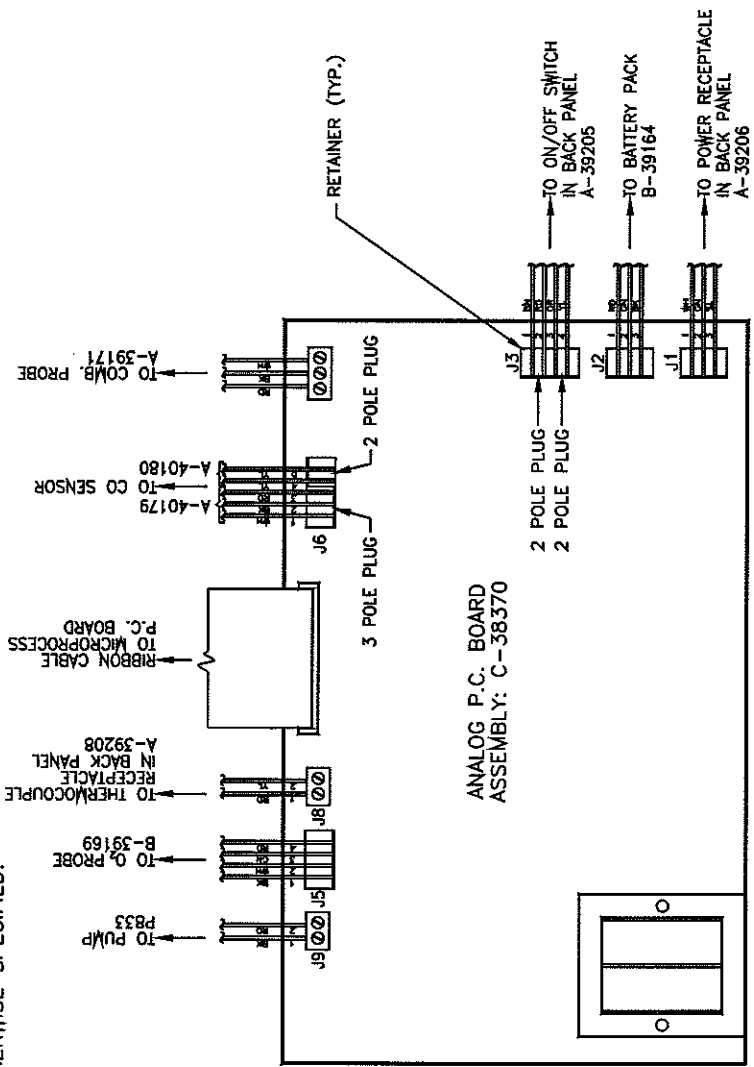


NOTES: UNLESS OTHERWISE SPECIFIED.

REVISIONS			
REV	DESCRIPTION	DATE	APPROVED
3	ECO# 89-0182	11-28-88	D. D.
4	ECO# 95-380	6/22/95	M.H.



ANALOG P.C. BOARD
ASSEMBLY: C-38370

MICRO PROCESSOR P.C. BOARD
ASSEMBLY: D-38584

DO NOT SCALE DWG		DATE: 6/22/95	
TOLERANCE UNLESS OTHERWISE SPECIFIED: ANGULAR ±1/16°		SCALE: SIM	
LINEAR ±.02		SHEET: 1 OF 1	
L.H. ±.006		REV: 4	
SIGNATURES: DRT: Moritz		DWG NO. C-39776	
ENGR:		TITLE: CONNECTION DIAGRAM "MAX" MONITOR	
APPR:		CITY OF INDUSTRIAL ENGINEERING Analytical Instruments	
S.O. F/ D-39218		CITY OF INDUSTRIAL, CALIFORNIA 91748	
REFERENCE: CAD ID: C39776		MAIL:	