

# Model 2000XTC

## Thermal Conductivity Transmitter



The Model 2000XTC Transmitter from Teledyne Analytical Instruments resets the standard for thermal conductivity detector based applications within the process control industry. As an intrinsically safe transmitter, packaged within a rugged, weatherproof housing, the 2000XTC is suitable for use in harsh, hazardous outdoor environments. Using a novel, solid-state thermal conductivity sensor, this cost-effective transmitter can be configured to detect H<sub>2</sub>, He, N<sub>2</sub>, Ar, CO<sub>2</sub> or a number of other gases of interest in binary or multi-component sample gas mixtures.

### Applications

- Power plant: H<sub>2</sub> purity analysis on turbine generator purge gas
- Petrochemical plant: H<sub>2</sub> purity analysis on H<sub>2</sub> / HC recycle gas streams, redesulfurization, and tail gas treatment processes
- Air separation plant: Bulk gas purity monitoring and welding / diving / cal gas cylinder verification
- Heat treating: Annealing furnace blanket gas monitoring
- Electrolysis: H<sub>2</sub> purity analysis in O<sub>2</sub>
- Fuel cell development: Methane feed gas purity analysis and reformer efficiency

### Features – 2000XTC Transmitter

- Unique, long-life, solid-state, TC sensor design
- No reference gas requirements
- Temperature controlled TCD providing excellent zero and span stability over a wide temperature range
- Intrinsically safe design allowing for use in hazardous areas
- Robust, weatherproof housing suitable for outdoor installations
- Linearized 4-20 mA signal output
- Small, space-saving, compact design
- Simple to install

### Sensor Operating Principle

The thermal conductivity sensor measures the concentration of a specific gas between a hot surface resistor and an ambient temperature reference resistor using the thermal conductivity coefficient of the gas itself.

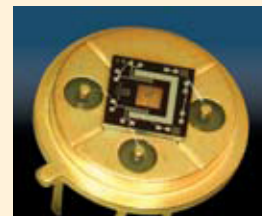
### Sensor Description

The sensor structure consists of an integrated heater located on a thin electrical and thermal insulating membrane. Two thin film resistors are used for heating and measuring the temperature of the membrane. Two resistors are integrated on the silicon beside the membrane for the compensation of the ambient temperature changes.

Gases which have a lower density than air (CH<sub>4</sub>) cause a decrease on the surface membrane temperature. On the other hand, gases with densities heavier than air (CO<sub>2</sub>) increase the temperature of the measuring resistor.

### Features

- Stable long term operation
- Physical method for gas concentration measurement
- Low power consumption
- Small dimensions



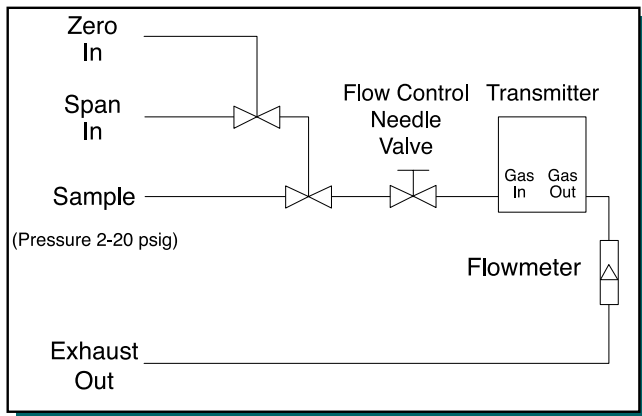
**Built for reliability and performance**

# MODEL 2000XTC THERMAL CONDUCTIVITY TRANSMITTER

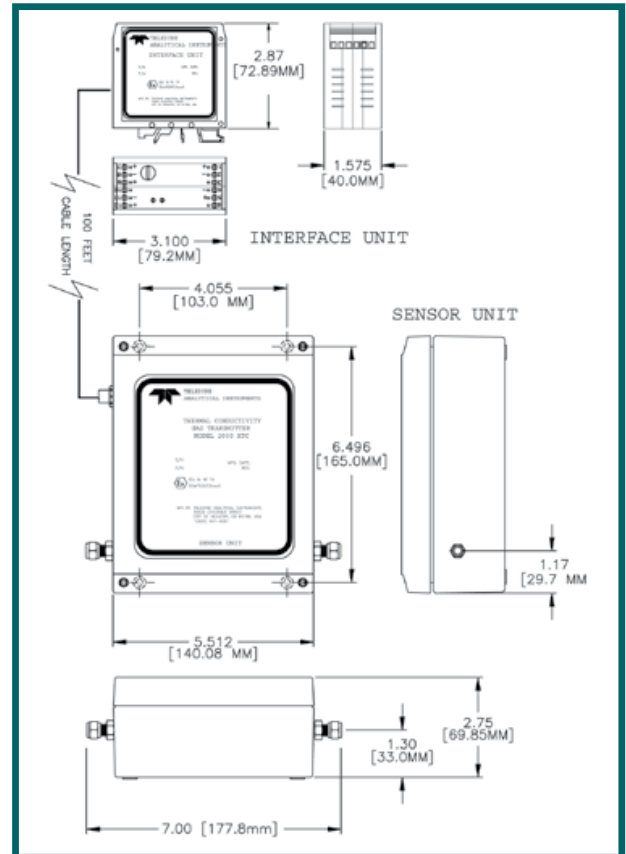
## SPECIFICATIONS

Ranges:	Customer specified
Accuracy:	±2% of full scale at constant temp; ±5% of full scale over 0-50° C
Response time:	10-90% in less than 20 seconds application and flow dependent
System operating temperature:	0 to 50° C
Sensor type:	Silicon micro-machined thermal conductivity sensor
Signal output:	4 - 20 mA DC output signal, linear with the gas concentration
Cell material:	Nickel plated brass block, stainless steel tubing
Max load impedance:	700 Ohms for current output
Reference gas:	Not required
Tube connections:	1/4" compression fittings
Sample gas flow rate:	Recommended between 0.4 to 2.0 SCFH
Area classification:	Intrinsically safe: Class I, Div 1, Groups A, B, C & D; CENELEC / ATEX as per EEx ib IIC - T3 per EN 50020

Power requirements:	24 VDC
Power consumption:	11 watts max
Zero drift:	Typically ±1% over 48 hours
Span drift:	Typically ±1% over 48 hours
Mounting:	
Interface unit:	DIN rail mounting (UL 64 flammability rating)
Transmitter unit:	Wall mounted, NEMA 4X (IP66 rated); flammability rating per UL 50; IEC 60529 and IP66
Interface unit:	Provided with transmitter



Suggested piping diagram for positive pressure applications



**Teledyne Analytical Instruments (TAI) - Factory**  
16830 Chestnut Street  
City of Industry, CA 91748, USA  
**TOLL FREE (888) 789-8168**  
TEL: 626.934.1500  
FAX: 626.934.1651  
[www.teledyne-ai.com](http://www.teledyne-ai.com)

**TAI - Houston & Gulf Coast Region USA**  
Shana Kiser  
Sales Engineer  
TEL: 281.557.8740  
MOB: 281.685.3758  
FAX: 281.557.8741  
E-mail: [Shana.Kiser@teledyne.com](mailto:Shana.Kiser@teledyne.com)

**TAI - Southeast USA**  
Dave Solomon  
Sales Manager  
TEL: 281.471.2935  
MOB: 281.414.8236  
FAX: 281.471.3091  
E-mail: [Dave.Solomon@teledyne.com](mailto:Dave.Solomon@teledyne.com)

**Warranty**  
Instrument is warranted for one year against defects in material or workmanship

**NOTE:** Specifications and features will vary with application. The above are established and validated during design, but are not to be construed as test criteria for every product. All specifications and features are subject to change without notice.

**TAI - South America**  
Angel Luhia (consultant)  
Av. Dellepiane 4208  
(C1407H2W) Buenos Aires  
ARGENTINA  
TEL & FAX: 54.11.4601-0050  
MOB: 54.911.5388-3664  
E-mail: [aluhia@taisudamerica.com.ar](mailto:aluhia@taisudamerica.com.ar)  
E-mail: [info@taisudamerica.com.ar](mailto:info@taisudamerica.com.ar)

**TAI - So. East Asia**  
Soo Keong Lim  
No. J-03-2, Dataran Glomac  
Jalan SS6/18, Pusat Bandar Kelana Jaya  
47301 Kelana Jaya  
Selangor  
MALAYSIA  
TEL: 603.7805.7712  
FAX: 603.7805.7710  
MOB: 6012.2010.610  
E-mail: [Soo.Lim@teledyne.com](mailto:Soo.Lim@teledyne.com)

**TAI - Middle East and India**  
Manoj Kumar  
P.O. Box 121744, Z -19 Building  
SAIF Zone, Sharjah  
UNITED ARAB EMIRATES (UAE)  
TEL: 971.6.5579727  
MOB: 971.50.6345537  
E-mail: [Manoj.Kumar@teledyne.com](mailto:Manoj.Kumar@teledyne.com)

