

NOTES: UNLESS OTHERWISE SPECIFIED.

① PLEASE REFER TO THE CROSS REFERENCE CHART TO PICK POWER CORD FOR END USER

2. OPTION A ----- MODEL 3010TAC
 OPTION B ----- MODEL 3010PAC
 OPTION C ----- MODEL 3010PAC-MA

3. NEXT ASS'Y: 3010TAC ----- D66260
 3010PAC ----- D66261

④ INSTALL FUSES IN POWER ENTRY MODULE HOUSING OF FUSES MUST
 MUST BE AND TURN OVER SO THAT FUSES ARE ON TOP.

⑤ ITEMS TO BE PUT TOGETHER INTO A KIT AND SHIPPED WITH INSTRUMENT.

⑥ AFTER 14 PIN RIBBON CABLE IS CONNECTED, APPLY L146 TO HEADER CONNECTOR
 AT LCD PCB AND FOR A SECURE HOLD.

BASEEFA Certified Product
No modification permitted
without the approval of the
Authorized Person

REVISIONS				
REV	DESCRIPTION	DATE	APP.	REV. BY
12	INC ECO 02-0288	11/19/02	AA	VF
13	INC ECO 04-0093	08/17/04	JCR	JCR

① CROSS REFERENCE CHART
 FOR POWER CORD

TBE/Al Part Number	"Dash" Letter Note 5	Country	Panel Components Corp. #	Feller Corp. Part #	Power Dynamics Part #
D-61549-A	A & F	Continental Europe "Schuko" Cordset Austria Netherlands Egypt Norway Finland Portugal Germany Spain Indonesia Turkey Iran Sweden (also for France and Belgium)	86511052	199-000	12013
D-61549-C	C	Australian Cordset Uruguay Argentina Australia New Zealand People's Rep. of China	86516050	198-000	15012
D-61549-D	D	English Fused Cordset, 13A Fuse United Kingdom Ireland Hong Kong Jordan Malaysia Singapore	86552007	209-000	14012
D-61549-E	E	Denmark (Only) Cordset	86536041	310-0100	
D-61549-G	G	Indian (Old British) Cordset India and South Africa	86559011	456-010	
D-61549-H	H	Israel (Only) Cordset	86558011	457-010	
D-61549-I	I	Italian Cordset Italy and Chile	86531031	364-010	14512
D-61549-J	J	Japanese (Only) Cordset (Similar to No. Amer NEMA 5-15 Cord)	86589010		
D-61549-K1	K (115V)	North American 115V Cordset (7.5') Brazil South Korea Canada Taiwan Columbia, 110-220 Thailand Mexico United States Saudi Arabia Venezuela	86551000	17250F	10088
D-61549-K2	K (230V)	North American 230V Cordset (8') Canada United States	86610100		
D-61549-L	L	Switzerland (Only) Cordset	86515050	210-000	13012

Note: Unless otherwise specified, all power cords are 2.5 meters (8.2 feet) in length.

39	2	2	2	S 1276	STAND-OFF, 6-32 x .438 LG. BND. HD.
38	1	1	1	A65230-C	GROUNDING LABEL
⑤	37	1	1	1	CP 1798 PLUG, 50-PIN D-SUB CONNECTOR HDP-20
⑤	36	1	1	1	CP 1859 PLUG, 9-PIN D-SUB CONNECTOR
⑤	35	1	1	1	CP 1858 SHIELDED CABLE CLAMP. SHELL SIZE 1
⑤	34	1	1	1	CP 1802 SHIELDED CABLE CLAMP. SHELL SIZE 5
⑤	33	59	59	59	CP 1799 SOLDER CUP CONTACT, SNAP IN PIN
32	REF	REF	REF	D66192-RS	ROUTE SHEET
31	-	1	1	A73957-B	EPROM PROGRAMMING DETAIL, 3010P
30	1	-	-	A73957-A	EPROM PROGRAMMING DETAIL, 3010T
29	2	2	2	B65945	GUIDE DETAIL, SLIDE
28	4	4	4		SCREW 6-32 x .25, FLAT HEAD
27	10	10	10		LOCK WASHER, #6
26	10	10	10		SCREW 6-32 x .25, BND HD
25	-	1	1	C62368-B	PREAMP PCB ASS'Y, PERCENT
24	1	-	-	C62368-A	PREAMP PCB ASS'Y, TRACE
23					
22	-	1		C73870-C	MAIN PCB ASSY
21	1	-	1	C73870-A	MAIN PCB ASSY
20	2	2	2		NUT, #10
19	2	2	2		LOCK WASHER, #10
18	2	2	2		SCREW 10-32 x .375, BND HD
17	9	9	9		LOCKWASHER, #8 EXTERNAL
16	7	7	7		NUT, #8
15	-	1	1	C66285-F	FRONT PANEL ASS'Y, EMI, 3010P
14	1	-	-	C66285-E	FRONT PANEL ASS'Y, EMI, 3010T
13	5	5	5	CP 1730	CABLE CLIP
12	1	1	1	D65831	TOP COVER DETAIL
11	1	1	1	B66119	SUB-ASS'Y, CABLE, FRONT TO MAIN PCB
⑥	10	1	1	1	B67065 SUB-ASS'Y, CABLE, LCD TO MAIN PCB
9	1	1	1	1	B64134 SUB-ASS'Y, CABLE, BACK TO MAIN PCB
8	1	1	1	A65849	CE MARK LABEL
④	7	2	2	2	F 1275 FUSE,1A,250Vac,SLOW BLOW,5x20mm TYPE
6	13	13	13		SCREW, 4-40 X .187, FLAT HD.
5	A/R	A/R	A/R	G 389	EMI SHIELDING GASKET
4	1	1	1	D66282-B	BACK PANEL ASS'Y
3	1	1	1	B64138	SUB-ASS'Y, CABLE, BACK TO PREAMP
2	1	1	1	D65836	CHASIS DETAIL
1	1	1	1	D65832	BOTTOM CASE DETAIL

ITEM	A	B	C	QTY	PART NO.	DESCRIPTION
------	---	---	---	-----	----------	-------------

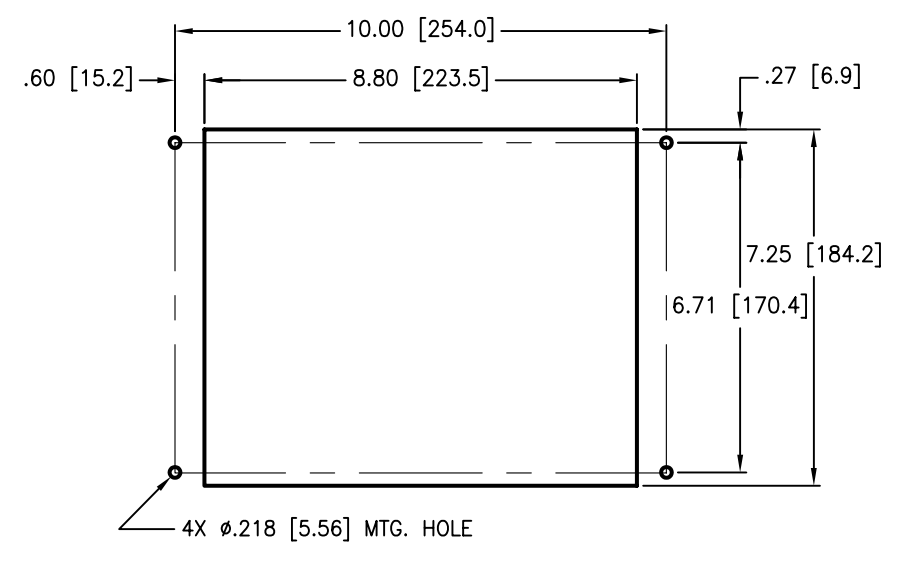
DO NOT SCALE DWG
 TOLERANCE UNLESS OTHERWISE SPECIFIED: ANGULAR ±1/2°
 .XX = ±.1
 .XXX = ±.02
 .XXXX = ±.010

SIGNATURES	DATE	TITLE	SCALE
N/ NOTED	DRFT: [Signature]	05/01/96	1:1
I/	CHK:		SIM NONE
Q/	APPR:		SHEET 1 OF 3
P/	ENGR:		
F/	C.O.:		
REFERENCE	CAD ID D66192-13	MATL. AS LISTED	DWG NO. D-66192

TELEDYNE INSTRUMENTS
 Analytical Instruments
 A Teledyne Technologies Company
 City of Industry, California 91746, USA

FINAL ASSEMBLY
 CONTROL UNIT
 MODEL 3010 TAC/PAC

REV 13



RECOMMENDED PANEL CUTOUT

