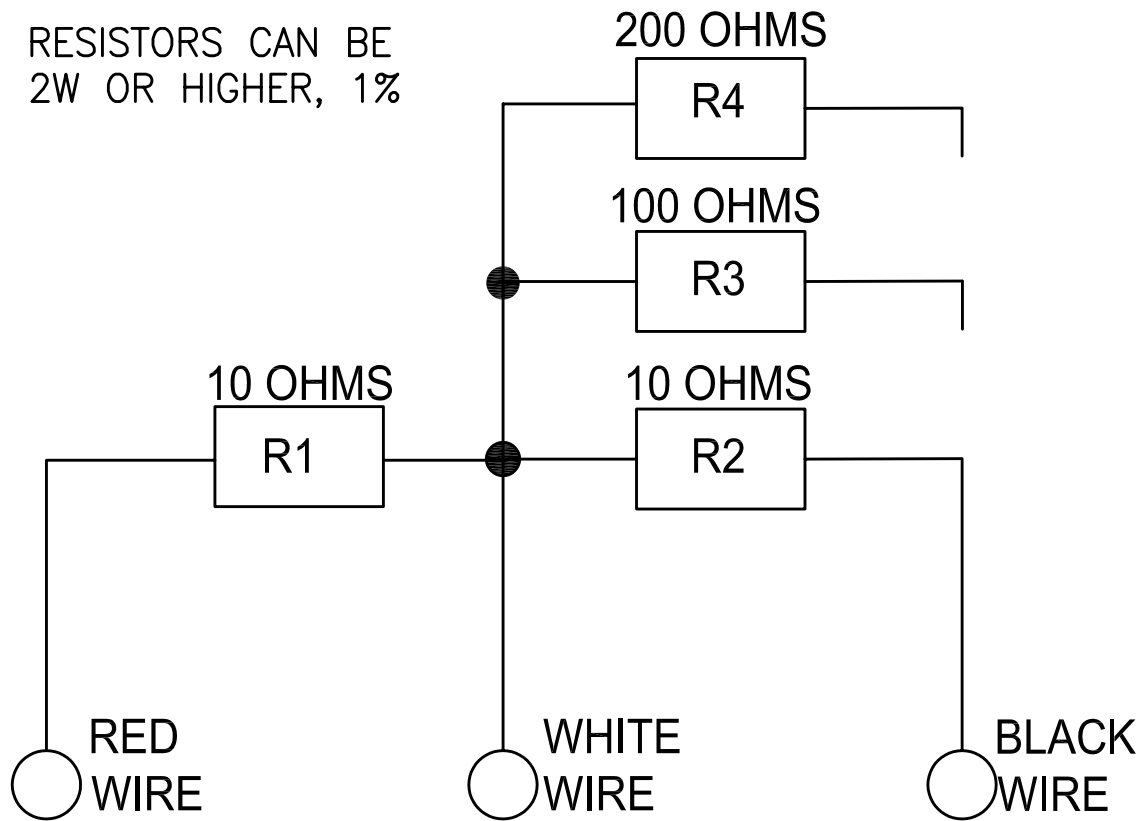


RESISTORS CAN BE  
2W OR HIGHER, 1%



USING THE FOLLOWING RESISTOR  
COMBINATIONS TO SIMULATE RANGES  
TO 100 %LEL:

%LEL

0 = R1 & R2 (ADJ. ZERO)

100 = R1, R2+R3 (ADJ. SPAN)

50 = R1, R2+R4 (SHOULD READ)

TO COMBUSTIBLE ANALYZER